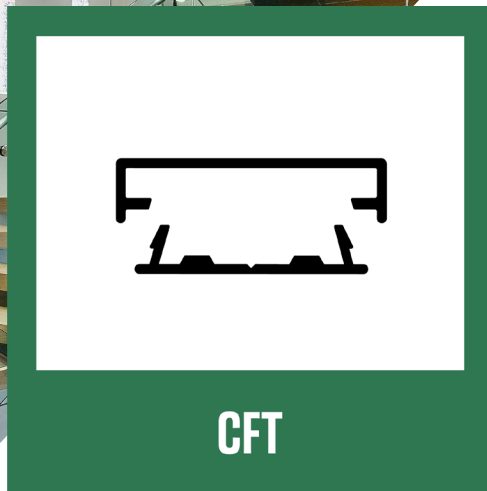


CONCEALED FASTENER TRIM

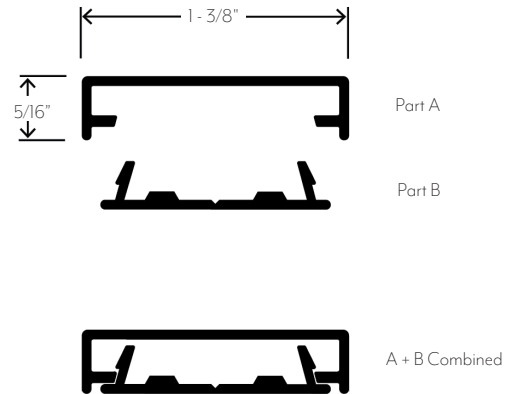


APPLICATION

Flannery's Concealed Fastener Trim is an Aluminum trim that creates a raised feature strip over the face of a finished wall. The Concealed Fastener Trim is a two-piece trim that once installed sits proud of the wall while hiding all of the trim's fasteners. Part 2 of the trim is attached to the wall's substrate first and then Part 1 is "snapped" over Part 2 thus concealing all of the fasteners of the trim.

SPECIFICATION

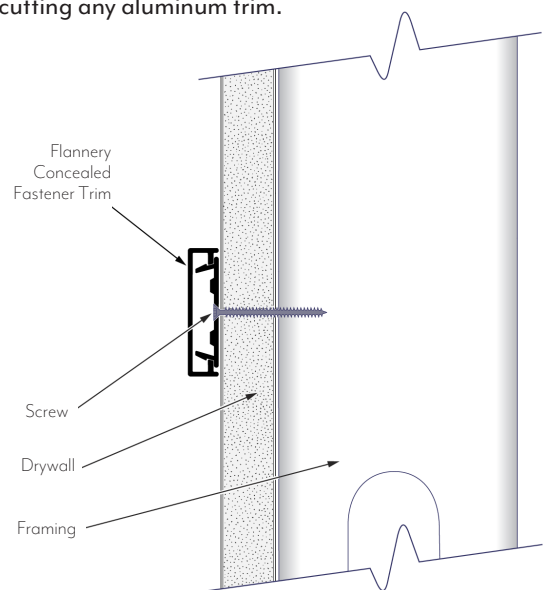
- Standard extruded aluminum alloy 6063 T5
- Typical .050" nominal wall thickness or greater
- Come in 10-foot lengths
- Stocked in Clear Anodized and Mill Finish (for field painting and priming)
- Chem-film, other factory finishes and custom paint are available



PART NO.
CFT 330-1375

INSTALLATION DETAIL

Attach Concealed Fastener Trim through one of the flanges to the drywall and framing with nails, screws, or other approved fastening methods. All drywall trims must be cut accurately and installed with tight, neat joints. Manufacturer recommends that a carbide tip blade along with blade lubricant be used when cutting any aluminum trim.



SPECIFICATIONS FOR DRYWALL TRIMS

PRODUCT SPECIFICATIONS

Flannery recommends that any installer of Aluminum Drywall Trims properly layout and coordinate the install of trims along with the drywall or gypsum board panels that will be utilized in a given installation. Most Aluminum Drywall Trims are installed after the drywall has been hung, which makes installation planning so paramount in reducing labor costs and ensuring the desired design aesthetic.

INSTALLATION INSTRUCTIONS FOR INTERIOR MOLDING

1. Moldings with tapeable flanges are to be installed after the drywall/gypsum board has been installed. The installer must provide space for the moldings at the time of drywall/gypsum board installation or cut the drywall/gypsum board with a router. (Moldings without tapeable flanges are to be installed prior to the drywall/gypsum board being installed.)
2. The framing should provide a backer so that moldings can be attached with #6 drywall screws 16" on center.
3. Before the taping process begins, installation flanges should be cleaned. If veneer plaster is specified, the installation flanges must be treated with a bonding agent. Reveals should be masked to prevent compound joint, drywall mud or texture overspray from entering the reveal opening.
4. Painted aluminum moldings should be masked with vinyl tape. Use cloth or vinyl tape specifically manufactured for masking anodized aluminum trims.
5. Drywall tape should not overlap the edge of the reveal. An 8" wide trowel should be used to apply the final skim coat.
6. Fiberglass or self-adhesive drywall tape will shorten taping time and assist in the prevention of possible cracking.

DRYWALL TRIM ALLOY & COMPOSITION

Flannery's Aluminum Drywall Trims are standard extruded aluminum alloy 6063 T5 and have a typical .050" nominal wall thickness. Aluminum Drywall Trims are aesthetic trims which are not intended to hold or support the weight of any gypsum panel system.

Aluminum Drywall Trims come in 10' lengths and shall have a standard Mill Finish (for field priming & painting) or Clear Anodized Finish. Custom anodizing, Chem-Film finish, factory priming and/or painting and polishing is also available. See our factory finishes page for more details.

GENERAL SPECIFICATIONS FOR FLANNERY TRIMS

PRODUCT SPECIFICATIONS

Flannery recommends that any installer of our Aluminum Trims properly layout and coordinate the installation of trims along with materials that will be utilized in the installation of the exterior wall system.

FLANNERY ALUMINUM TRIM ALLOY & COMPOSITION

Flannery's Aluminum Trims are standard extruded aluminum alloy 6063 T5 and have a typical .050" or greater nominal wall thickness. Extruded Aluminum Trims are aesthetic trims which are not intended to hold or support the full weight of any Panel, Stucco, or Plaster system. Flannery's Trims meet or exceed ASTM B221 for extruded aluminum products.

Flannery's Aluminum Trims come in 10' lengths typically and shall have a standard stock finish of Mill Finish (for field priming & painting) or Clear Anodized (some may be stocked in Black Anodized). Other factory finishes including liquid or powder coated paint, Chem-Film, Primer and special Anodizing finishes are available. All of our other finishing options can be viewed on the next page.

HANDLING ALUMINUM TRIMS

Personal protection equipment should be utilized when handling and installing aluminum trims. Gloves and eye protection must be worn when handling aluminum trims as well as ear protection when cutting.

CUTTING ALUMINUM MOLDINGS

Flannery recommends that ten-foot lengths be used wherever possible. Aluminum Moldings can be cut with a chop saw, using a 125-150-tooth carbide-tip blade for non-ferrous metal. An abrasive cut-off wheel should not be used to cut aluminum trims. Blade lubricant (WD-40 or grease stick) must be applied to the blade before each cut. Lubricant should be cleaned from the trim prior to installation.

STEPS FOR FIELD PAINTING MILL FINISH (RAW) ALUMINUM MOLDINGS

1. Clean and treat moldings in accordance with the paint manufacturer's specifications.
2. Use a primer recommended by the paint manufacturer's specifications.
3. Apply the paint coat according to the paint manufacturer's specifications.
4. Flannery makes no guarantees, nor accepts any responsibility, for the performance of field-applied coatings over anodized finishes.
5. If aluminum trim has an alternate finish, contact Flannery for field painting instructions.

PLEASE NOTE

This product sheet presents general guidelines and suggestions for the installation of Flannery trims and products. The purpose of these general guidelines and suggestions is to aid in a successful interior or exterior finish based on the Uniform Building Code and industry standards. No one catalog or product guide can address all of the unique specifics or installation details that occur from one project to another. Flannery recommends that every installer be familiar, or become acquainted with, common interior or exterior trim installation practices before installing any of Flannery's many trims and products. Flannery also recommends that the specifying architect, engineer, and general contractor be consulted with as well.