

SIDING X-MOLD

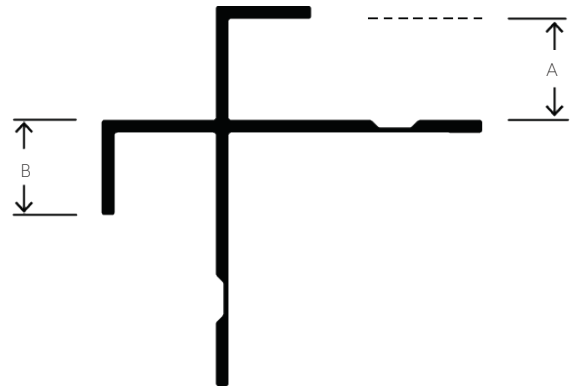


APPLICATION

Flannery's Siding X-Mold is an outside corner trim that creates an aesthetic reveal where two panels come together at an outside 90° corner. The face flange on each side covers the edge of the panels without requiring them to be mitered at the edge.

SPECIFICATION

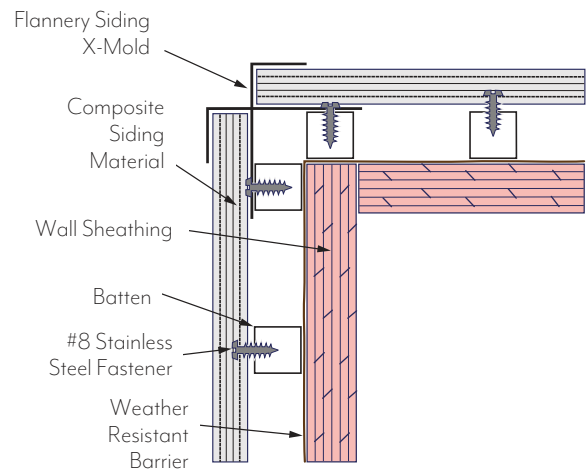
- Standard extruded aluminum alloy 6063 T5
- Typical .050" nominal wall thickness or greater
- Come in 10-foot lengths
- Stocked in Clear Anodized and Mill Finish (for field painting and priming) and some Black Anodized and Factory Primed
- Chem Film, other factory finishes and custom paint are available



PART NO.	"A" DEPTH	"B" WIDTH	PANEL SIZE
CPX 375-375	3/8"	3/8"	3/8"
CPX 50-375	1/2"	3/8"	1/2"
SXM 625-100	5/8"	1"	5/8"
WPX 75-375	3/4"	3/8"	3/4"
SXM 80-50	4/5"	1/2"	4/5"
SXM 875-100	7/8"	1"	7/8"
SXM 1125-1250	1 1/8"	1 1/4"	1 1/8"
SXM 1250-50	1 1/4"	1/2"	1 1/4"

INSTALLATION DETAIL

Install the Siding X-Mold in accordance with Siding Manufacturer's instructions.



SPECIFICATIONS FOR COMPOSITE SIDING TRIM

INTERIOR USAGE

Flannery recommends that any installer of Aluminum Panel Trims properly layout and coordinate the install of trims along with the particular paneling that will be utilized in a given installation. Proper planning will reduce installation time and produce the desired design aesthetic.

EXTERIOR USAGE

It is important for the installer to be aware of certain restrictions when installing Aluminum Panel Trims on an exterior wall. Certain trims are designed specifically for vertical or horizontal installation to allow for the proper movement of moisture around the paneling. Trim installed improperly could lead to moisture intrusion or a poor wall design. Please refer to flannerytrim.com for a more comprehensive installation guide of exterior panel trims.

WHEN INSTALLING EXTERIOR PANEL TRIMS VERTICALLY

Weather resistant barrier must be placed behind all moldings and have a shiplap of 6". Attach moldings 16" on center to framing using approved fastening methods. Butt joints must be cut accurately and sealed.

WHEN INSTALLING EXTERIOR PANEL TRIMS HORIZONTALLY

Weather resistant barrier must be placed behind all moldings and have a shiplap of at least 2". Flashing tape may be required over the upper attachment flange of trims running horizontally as an avenue for moisture to flow out from behind the system. Attach moldings 16" or 24" on center to the framing using approved fastening methods. Butt joints must be cut accurately and sealed.

USE OF PANEL TRIMS WITH FIBER CEMENT PANELING

Whenever aluminum trims are used with Fiber Cement Panels, it is important that all trims be coated with a finish to protect the metal from the acidity of the panels. These coatings can include an Anodized finish, liquid or powder coat paint, primer or a chem-film finish. You can explore all of our finishing options on pages 44-45.

PANEL TRIM ALLOY & COMPOSITION

Flannery's Panel Trims are standard extruded aluminum alloy 6063 T5 and have a typical .050" nominal wall thickness. Aluminum Panel Trims are aesthetic trims which are not intended to hold or support the weight of any panel system. Please consult a structural engineer when considering the use of Flannery Furring Strips or Z-Fur Strips in a rainscreen system.

GENERAL SPECIFICATIONS FOR FLANNERY TRIMS

PRODUCT SPECIFICATIONS

Flannery recommends that any installer of our Aluminum Trims properly layout and coordinate the installation of trims along with materials that will be utilized in the installation of the exterior wall system.

FLANNERY ALUMINUM TRIM ALLOY & COMPOSITION

Flannery's Aluminum Trims are standard extruded aluminum alloy 6063 T5 and have a typical .050" or greater nominal wall thickness. Extruded Aluminum Trims are aesthetic trims which are not intended to hold or support the full weight of any Panel, Stucco, or Plaster system. Flannery's Trims meet or exceed ASTM B221 for extruded aluminum products.

Flannery's Aluminum Trims come in 10' lengths typically and shall have a standard stock finish of Mill Finish (for field priming & painting) or Clear Anodized (some may be stocked in Black Anodized). Other factory finishes including liquid or powder coated paint, Chem-Film, Primer and special Anodizing finishes are available. All of our other finishing options can be viewed on the next page.

HANDLING ALUMINUM TRIMS

Personal protection equipment should be utilized when handling and installing aluminum trims. Gloves and eye protection must be worn when handling aluminum trims as well as ear protection when cutting.

CUTTING ALUMINUM MOLDINGS

Flannery recommends that ten-foot lengths be used wherever possible. Aluminum Moldings can be cut with a chop saw, using a 125-150-tooth carbide-tip blade for non-ferrous metal. An abrasive cut-off wheel should not be used to cut aluminum trims. Blade lubricant (WD-40 or grease stick) must be applied to the blade before each cut. Lubricant should be cleaned from the trim prior to installation.

STEPS FOR FIELD PAINTING MILL FINISH (RAW) ALUMINUM MOLDINGS

1. Clean and treat moldings in accordance with the paint manufacturer's specifications.
2. Use a primer recommended by the paint manufacturer's specifications.
3. Apply the paint coat according to the paint manufacturer's specifications.
4. Flannery makes no guarantees, nor accepts any responsibility, for the performance of field-applied coatings over anodized finishes.
5. If aluminum trim has an alternate finish, contact Flannery for field painting instructions.

PLEASE NOTE

This product sheet presents general guidelines and suggestions for the installation of Flannery trims and products. The purpose of these general guidelines and suggestions is to aid in a successful interior or exterior finish based on the Uniform Building Code and industry standards. No one catalog or product guide can address all of the unique specifics or installation details that occur from one project to another. Flannery recommends that every installer be familiar, or become acquainted with, common interior or exterior trim installation practices before installing any of Flannery's many trims and products. Flannery also recommends that the specifying architect, engineer, and general contractor be consulted with as well.