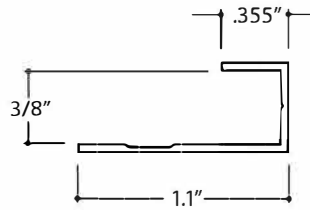


Product Specification:

Alloy : 6063-T5

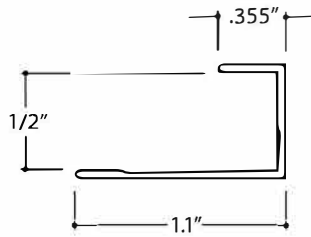
Typical Wall Thickness : .05



Product Specification:

Alloy : 6063-T5

Typical Wall Thickness : .05



Product Name:

Cement Panel Trim

Product Number:

CPJ 50-100

Product Section:

Exterior / Cement Panel Trim

Contact:

www.flannerytrim.com Ph. 818-837-7585

Web Link:

flannerytrim.com/product/cement-panel-j-mold/

Scale:

1" = 1"

Date:

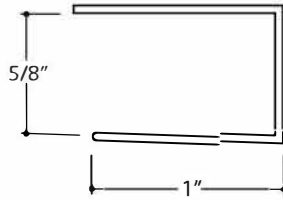
03.26.19

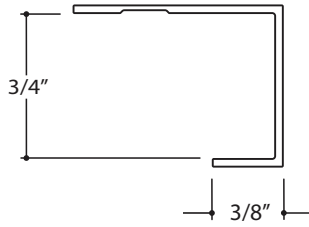
Page No.:

2 OF 11

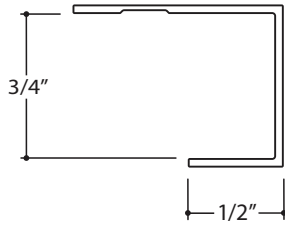
Alloy : 6063-T5


Typical Wall Thickness : .05

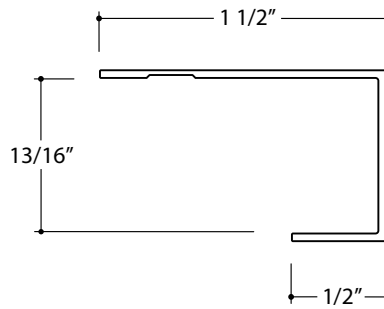




Flannery, Inc.	Product Name: Wood Panel J-Mold	Product Number: WPJ 75 - 375	Product Section: Interior / Millwork Panel Trim	Scale: 1" = 1"	
	Contact: www.flannerytrim.com	Ph. 268-207-2650	Product Notes and Specification: .050 Typical Wall Thickness Except as Noted Break Sharp Corners at .010 R		Date: 03.06.19
	Web Link: flannerytrim.com/product/wood-panel-j-mold/			Alloy : 6063-T5	Page No.: 4 OF 11



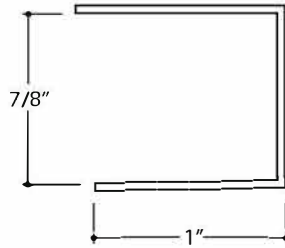
 Flannery, Inc.	Product Name: Wood Panel J-Mold	Product Number: WPJ 75 - 50	Product Section: Interior / Millwork Panel Trim	Scale: 1" = 1"	
	Contact: www.flannerytrim.com	Ph. 268-207-2650	Product Notes and Specification: .050 Typical Wall Thickness Except as Noted Break Sharp Corners at .010 R Alloy : 6063-T5		Date: 03.06.19
	Web Link: flannerytrim.com/product/wood-panel-j-mold/				Page No.: 5 OF 11



Flannery, Inc.	Product Name: Siding J-Mold	Product Number: SJM 800 - 50	Product Section: Exterior / Composite Siding Trim	Scale: 1" = 1"
	Contact: www.flannerytrim.com	Ph. 682-207-2650	Product Notes and Specification: .050 Typical Wall Thickness Except as Noted Break Sharp Corners at .010 R	
	Web Link: flannerytrim.com/product/siding-j-mold/			Date: 01.18.23
			Alloy : 6063-T5	Page No.: 6 OF 11

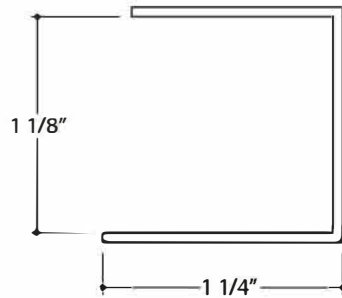
Alloy : 6063-T5

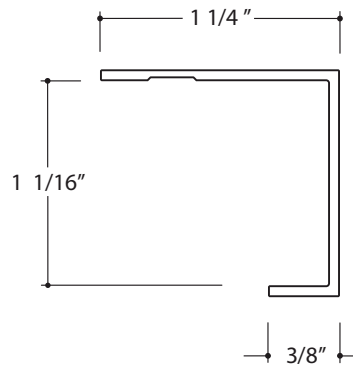
Typical Wall Thickness : .05



Alloy : 6063-T5

Typical Wall Thickness : .05

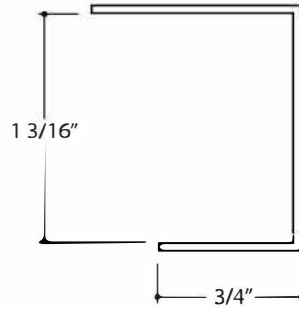


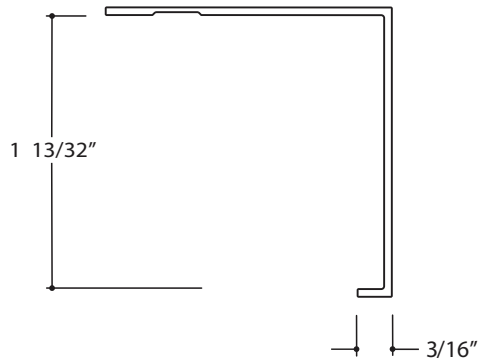


Flannery, Inc.	Product Name: Siding J-Mold	Product Number: SJM 1063-375	Product Section: Exterior / Composite Siding Trim	Scale: 1" = 1"
	Contact: www.flannerytrim.com	Ph. 682-207-2650	Product Notes and Specification: .062 Typical Wall Thickness Except as Noted Break Sharp Corners at .010 R	
	Web Link: flannerytrim.com/product/siding-j-mold/	Alloy : 6063-T5		Date: 01.20.23
			Page No.: 9 OF 11	

Alloy : 6063-T5

Typical Wall Thickness : .05





Flannery, Inc.

Product Name: Wood Panel J-Mold	Product Number: WPJ 1417 - 188	Product Section: Interior / Millwork Panel Trim	Scale: 1" = 1"
Contact: www.flannerytrim.com	Ph. 268-207-2650	Product Notes and Specification: .050 Typical Wall Thickness Except as Noted Break Sharp Corners at .010 R	Date: 03.06.19
Web Link: flannerytrim.com/product/wood-panel-j-mold/		Alloy : 6063-T5	Page No.: 11 OF 11