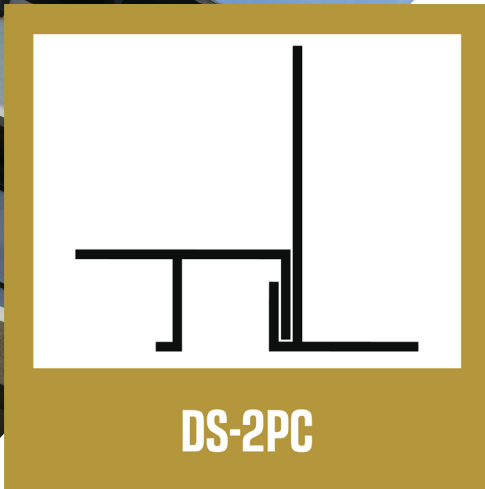


2-PIECE DRIP SCREED

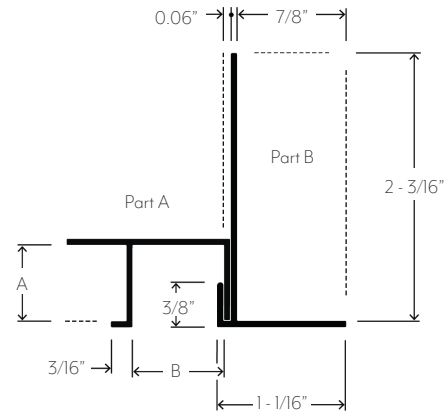


APPLICATION

Flannery's Drip Screeds create a drip edge for moisture to "drip" off stucco fascia edges preventing it from running back across a soffit. Drip Screeds are typically set at the corner joint where a fascia meets a soffit. They come with a fascia leg that acts as a stucco stop and a reveal which acts as a drip edge.

SPECIFICATION

- Standard extruded aluminum alloy 6063 T5
- Typical .050" nominal wall thickness or greater
- Come in 10-foot lengths
- Stocked in Clear Anodized and Mill Finish (for field painting and priming)
- Chem-film, other factory finishes and custom paint are available

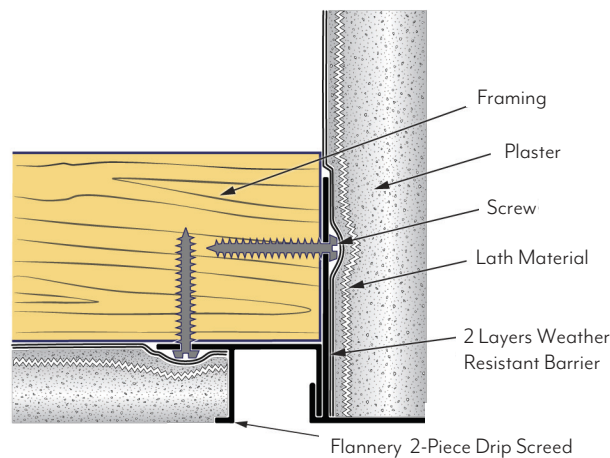


PART NO.	"A" DEPTH	"B" WIDTH
DS 50-50-2pc	1/2"	1/2"
DS 50-75-2pc	1/2"	3/4"
DS 625-50-2pc	5/8"	1/2"
DS 625-75-2pc	5/8"	3/4"
DS 75-50-2pc	3/4"	1/2"
DS 75-75-2pc	3/4"	3/4"
DS 75-100-2pc	3/4"	1"
DS 75-150-2pc	3/4"	1 1/2"
DS 75-200-2pc	3/4"	2"
DS 75-300-2pc	3/4"	3"
DS 75-400-2pc	3/4"	4"

2-PIECE DRIP SCREED

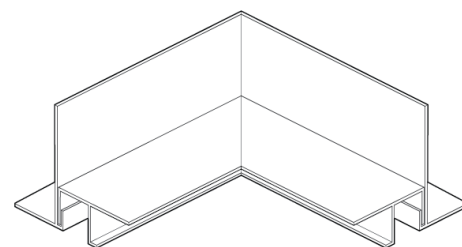
INSTALLATION DETAIL

Flannery's Drip Screeds create a drip edge for moisture to "drip" off of stucco fascia edges thus preventing it from running back across a soffit. Drip Screeds are typically set at the corner joint where fascias meet a soffit. They come with a fascia leg that acts as a stucco stop and a reveal which acts as a drip edge. 2-Piece Drip Screeds come in various reveal depths and widths to accommodate a variety of stucco soffit thicknesses. Select sizes of Flannery's 2-Piece Drip Screeds are available with Alignment Splices to assist in the installation process.

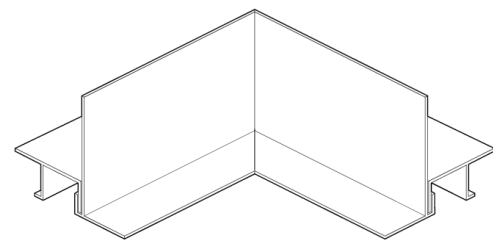


CORNERS

2-Piece Drip Screed prefabricated factory corners can be manufactured with the same or different moldings. They are used to complete intricate building designs that utilize intersecting lines (both vertical and horizontal) around interior or exterior walls. The corners are mitered and then heli-arc welded at the installation flanges. A seal is then applied to the back of the intersecting butt joints. The standard corner comes with 6" legs from the center point of the reveal but custom leg lengths are also available. All installation flanges must be covered with lath and all butt joints must be sealed.



Inside Corner



Outside Corner

SPECIFICATIONS FOR PLASTER & STUCCO TRIMS

INSTALLATION INSTRUCTIONS FOR WEEP, DOOR & WINDOW OR SOFFIT DRIP SCREEDS

Weep Screeds, Door & Window Drips or Soffit Drip Screeds should be installed per the architect or building engineer's installation instructions.

Flannery recommends the following steps to help assist the installer in maximizing these trims' main purpose, which is water management:

1. Before Flannery's weeping trims are installed, required waterproofing for door and window openings should be inspected and evaluated for proper installation.
2. All Weep or Drip Screeds should be attached horizontally 16" or 24" on center to framing using approved fastening methods. Butt joints must be cut accurately and sealed.
3. Building paper or the weather resistant barrier should then be installed over the corresponding attachment flanges to prevent moisture from getting in behind the trim.
4. Install lath over the corresponding attachment flanges of the molding.
5. If the trim has a reveal, use cloth or vinyl tape specifically manufactured for masking anodized aluminum moldings prior to plastering. For painted moldings, use vinyl tape.

GENERAL SPECIFICATIONS FOR FLANNERY TRIM

PRODUCT SPECIFICATIONS

Flannery recommends that any installer of our Aluminum Trims properly layout and coordinate the installation of trims along with materials that will be utilized in the installation of the exterior wall system.

FLANNERY ALUMINUM TRIM ALLOY & COMPOSITION

Flannery's Aluminum Trims are standard extruded aluminum alloy 6063 T5 and have a typical .050" or greater nominal wall thickness. Extruded Aluminum Trims are aesthetic trims which are not intended to hold or support the full weight of any Panel, Stucco, or Plaster system. Flannery's Trims meet or exceed ASTM B221 for extruded aluminum products.

Flannery's Aluminum Trims come in 10' lengths typically and shall have a standard stock finish of Mill Finish (for field priming & painting) or Clear Anodized (some may be stocked in Black Anodized). Other factory finishes including liquid or powder coated paint, Chem-Film, Primer and special Anodizing finishes are available. All of our other finishing options can be viewed on the next page.

HANDLING ALUMINUM TRIMS

Personal protection equipment should be utilized when handling and installing aluminum trims. Gloves and eye protection must be worn when handling aluminum trims as well as ear protection when cutting.

CUTTING ALUMINUM MOLDINGS

Flannery recommends that ten-foot lengths be used wherever possible. Aluminum Moldings can be cut with a chop saw, using a 125-150-tooth carbide-tip blade for non-ferrous metal. An abrasive cut-off wheel should not be used to cut aluminum trims. Blade lubricant (WD-40 or grease stick) must be applied to the blade before each cut. Lubricant should be cleaned from the trim prior to installation.

STEPS FOR FIELD PAINTING MILL FINISH (RAW) ALUMINUM MOLDINGS

1. Clean and treat moldings in accordance with the paint manufacturer's specifications.
2. Use a primer recommended by the paint manufacturer's specifications.
3. Apply the paint coat according to the paint manufacturer's specifications.
4. Flannery makes no guarantees, nor accepts any responsibility, for the performance of field-applied coatings over anodized finishes.
5. If aluminum trim has an alternate finish, contact Flannery for field painting instructions.

PLEASE NOTE

This product sheet presents general guidelines and suggestions for the installation of Flannery trims and products. The purpose of these general guidelines and suggestions is to aid in a successful interior or exterior finish based on the Uniform Building Code and industry standards. No one catalog or product guide can address all of the unique specifics or installation details that occur from one project to another. Flannery recommends that every installer be familiar, or become acquainted with, common interior or exterior trim installation practices before installing any of Flannery's many trims and products. Flannery also recommends that the specifying architect, engineer, and general contractor be consulted with as well.