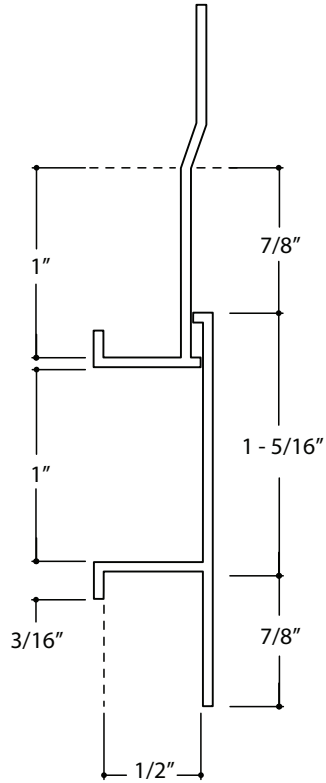
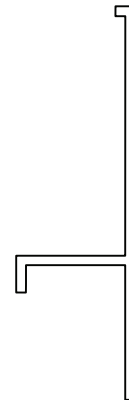


EXP 50-100 Part B



EXP 50-100 Part A



Product Name: Expansion Reveal	Product Number: EXP 50-100	Product Section: Exterior / Plaster & Stucco Trims	Scale: 1" = 1"
Contact: www.flannerytrim.com	Ph. 682-207-2650	Product Notes and Specification: .050 Typical Wall Thickness Except as Noted Alloy : 6063-T5 Break Sharp Corners at .010 R	Date: 07.09.25
Web Link: https://flannerytrim.com/product/expansion-reveal-reveal/			Page No.: 01 OF 01