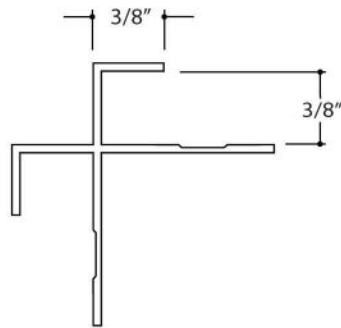



Product Specification:

Alloy : 6063-T5

Typical Wall Thickness : .05



 Flannery, Inc.	Product Name: Cement Panel Trim	Product Number: CPX 375-375	Product Section: Exterior / Cement Panel Trim	Scale: 1" = 1"
	Contact: www.flannerytrim.com	Ph. 818-837-7585	Web Link: flannerytrim.com/product/cement-panel-x-mold/	Date: 03.26.19 Page No.: 1 OF 2