



Flannery, Inc

Specialty Aluminum Trims

info@flannerytrim.com
(682) 207-2650

Acoustical Ceiling Knife Edge – Fabricated Corners

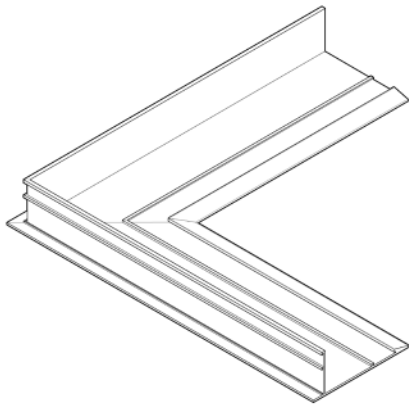
Company Name: _____

P.O. #: _____

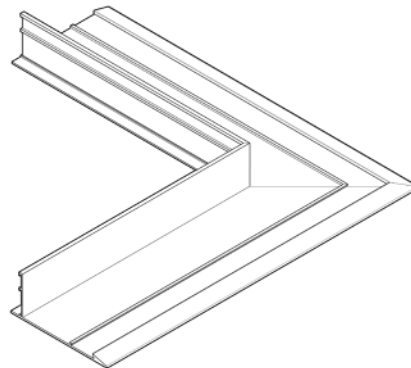
Contractor: _____

Job Name: _____

Part #	# of Pieces	Indicate Corner Type
1.		
2.		
3.		
4.		
5.		
6.		
7.		
8.		



Inside Corner



Outside Corner