



# Flannery, Inc

Specialty Aluminum Trims

[info@flannerytrim.com](mailto:info@flannerytrim.com)  
(682) 207-2650

## Weeping Reveal – Fabricated Corners Form

Company Name: \_\_\_\_\_

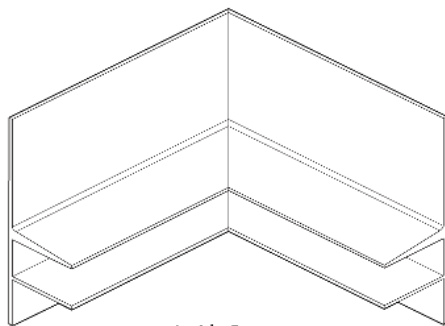
P.O. #: \_\_\_\_\_

Contractor: \_\_\_\_\_

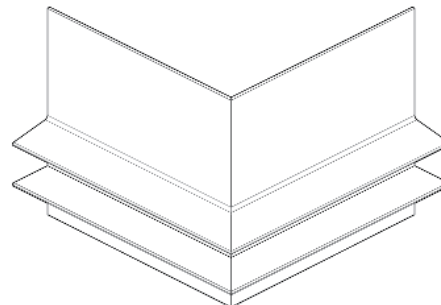
Job Name: \_\_\_\_\_

| Part # | # of Pieces | Indicate Corner or Intersection Type |
|--------|-------------|--------------------------------------|
|--------|-------------|--------------------------------------|

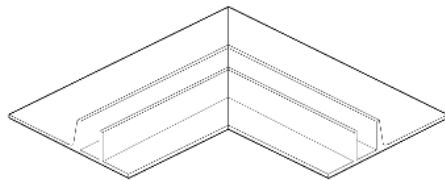
- 1.
- 2.
- 3.
- 4.
- 5.
- 6.
- 7.
- 8.



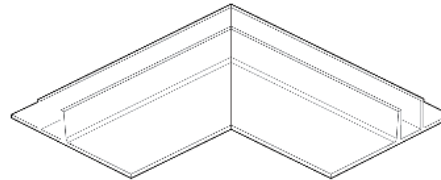
Inside Corner



Outside Corner



Inside Corner 90 Degree Intersection



Outside Corner 90 Degree Intersection