



**Flannery, Inc**  
Specialty Aluminum Trims

# STRATA CEILING TRIMS

[flannerytrim.com](http://flannerytrim.com) - 682.207.2650

# OUR STORY

2025 represents Flannery's 50th year of trim manufacturing. Over the past five decades we have manufactured steel, vinyl, and aluminum products for every aspect of the wall and ceiling industry. There are very few wall systems, whether interior or exterior, where our trims cannot be found.

Beginning in 1975, an "old lath and plasterer" put down his tool bag after two decades in the field, went into his garage and built a specialty trim company. Barry "Bud" Rutherford produced over 12 patents of drywall and plaster trim products that we still sell today.

Building on the legacy of Bud Rutherford, Flannery has grown to become the premier manufacturer of aluminum trims. It continues to be a family-owned and operated business that has a diverse product line for both interior and exterior walls and ceiling applications. Our full production facility boasts one of the largest product inventories of niche extruded aluminum construction trims.

In addition, we are dedicated to providing the necessary technical assistance and customer service that will enable any builder, architect, or owner to succeed in their building design. Contact us today for help with any trim solution by emailing us at [info@flannerytrim.com](mailto:info@flannerytrim.com) or visit our website.

# PRODUCT OVERVIEW

If you need to take your suspended ceiling to new heights, Flannery is proud to present you with its Strata Ceiling Trims. The first trim that Flannery brought to market was an interior trim designed to finish the edge of a vertical wall against a suspended ceiling. Back then there were very few ceilings that were not run from wall to wall, so there were few unique ceiling design options for the architect.

The last several years have brought Flannery full circle as we continue to innovate and invest in just the right trim to finish not just the edge of a vertical wall, but the ceiling itself. Suspended ceilings have undergone a renaissance of design innovation and installation techniques that have broadened the imagination of those who create shared spaces in commercial construction. Strata Cloud Trims complement suspended ceiling design elements by providing them a clean and rich termination edge.

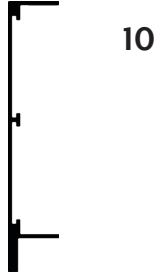
Flannery stocks our Strata Ceiling Trims in our standard Cloud White paint to match the major ACT grid manufacturers as well as a flat black paint for black ACT grid. Alternate whites and other custom color paint options, including “woodgrain” powder coating are also available. The required hardware for a seamless installation of our suspended ceiling trims, whether they are for acoustical ceiling tile or gypsum board are also included free of charge. The back of this catalog includes information about our hardware, specifications and finishes.

# SHAPEFINDER



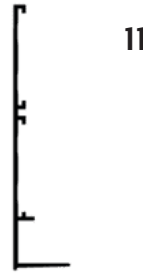
9

ACOUSTICAL CEILING  
CLOUD EDGE



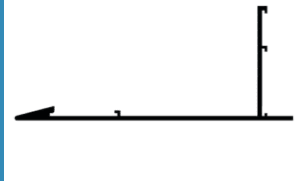
10

ACOUSTICAL CEILING  
CLOUD REVEAL



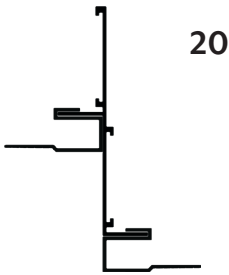
11

DRYWALL CEILING  
CLOUD EDGE



13

ACOUSTICAL CEILING  
KNIFE EDGE



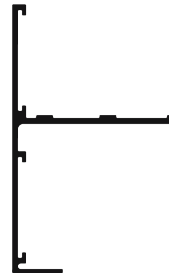
20

DW CEILING  
TRANSITION TO DW



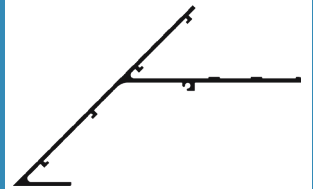
21

DRYWALL CEILING  
EDGE ADAPTER



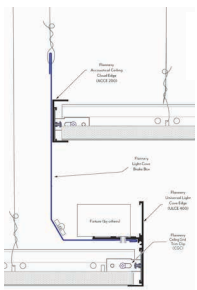
24

UNIVERSAL LIGHT  
COVE EDGE



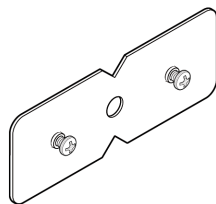
25

UNIVERSAL LIGHT  
COVE KNIFE EDGE



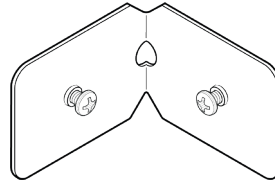
31

LIGHT COVE BOX  
OPTIONS



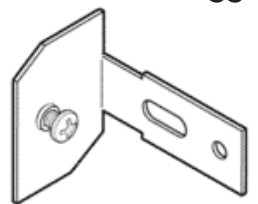
34

CEILING TRIM  
SPLICE



34

CEILING TRIM 90°  
CORNER SPLICES



35

CEILING GRID  
TRIM CLIP

16

**FLUSH ACOUSTICAL  
DRYWALL REVEAL**

17

**ACOUSTICAL CEILING  
TRANSITION**

18

**ACT CEILING  
TRANSITION TO DW**

19

**DW CEILING  
TRANSITION TO ACT**

26

**UNIVERSAL LIGHT  
COVE DW EDGE**

27

**UNIVERSAL LIGHT  
COVE DW KNIFE**

28

**LIGHT COVE LEDGE**

29

**UNIVERSAL LIGHT  
COVE DW SHELF**

35

**45° CEILING GRID  
TRIM CLIP**

37

**WELDED  
CORNERS**

39

**RADIUS AND  
CLOUD CREATION**





# CEILING CLOUD EDGE TRIMS

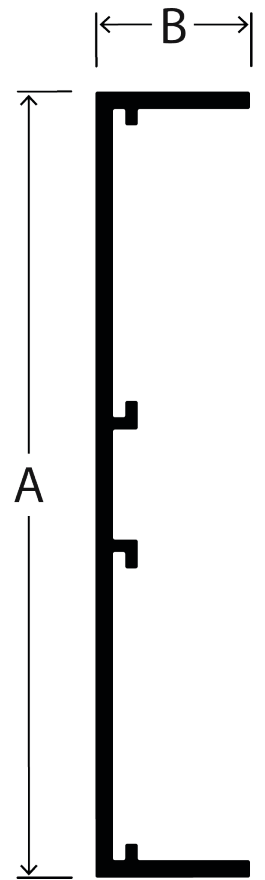


## ACOUSTICAL CEILING CLOUD EDGE

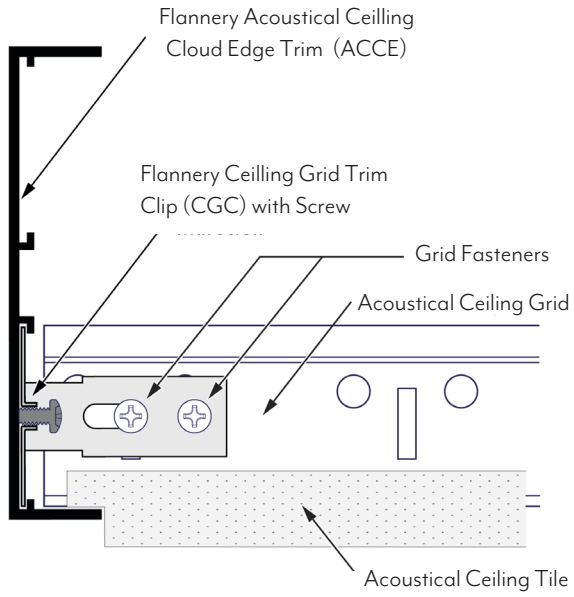
### TRIM PURPOSE

The Strata Acoustical Ceiling Cloud Edge (ACCE) trim creates a solid perimeter for a suspended acoustical ceiling. Once installed, the trim allows the acoustical ceiling to appear as if it were a “cloud” hovering over the project space instead of a typical suspended ceiling. The Strata Cloud Edge comes in a variety of sizes from 2” to 12” high. Clips and Splices included.

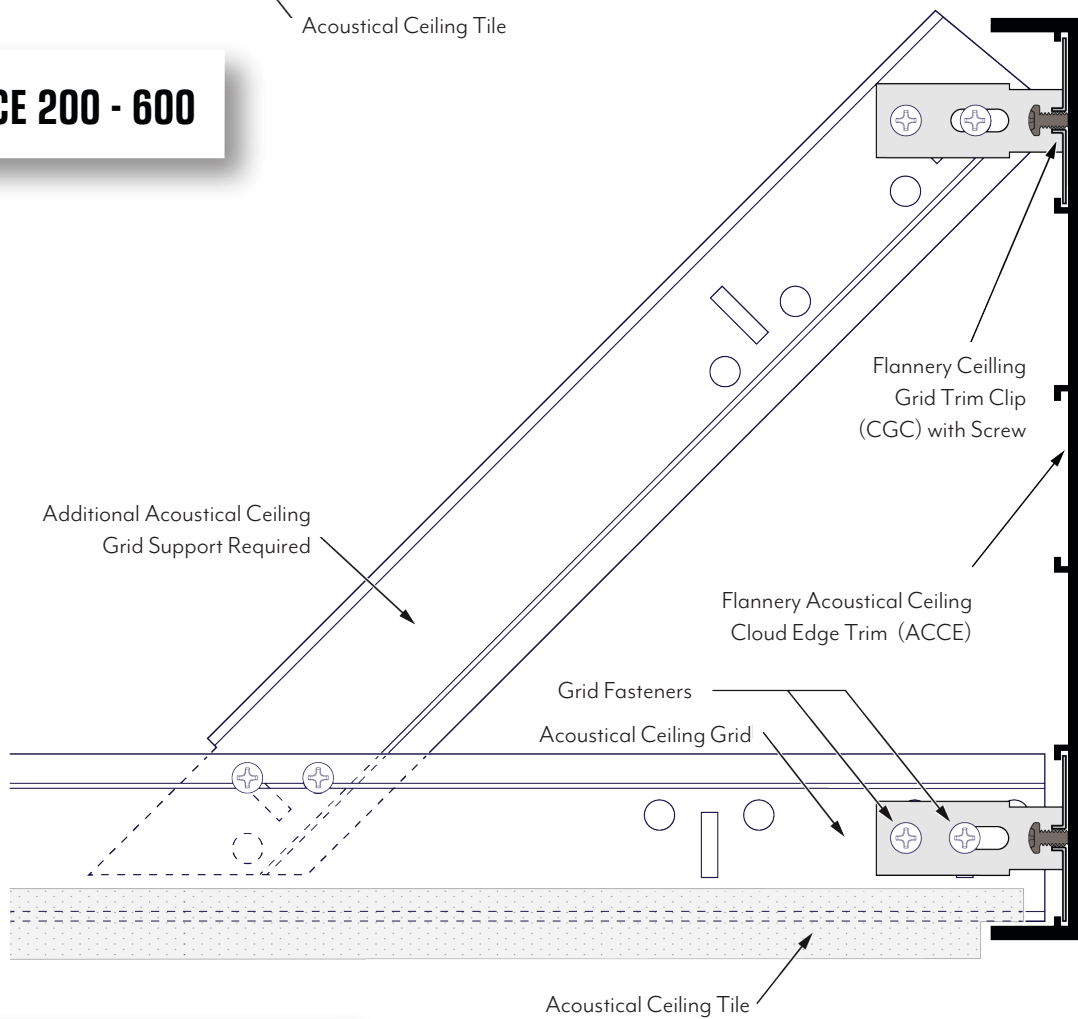
PART NO.	“A” DEPTH	“B” WIDTH
ACCE 200	2”	3/4”
ACCE 400	3 3/4”	3/4”
ACCE 600	5 3/4”	3/4”
ACCE 800	7 59/64”	3/4”
ACCE 1000	9 15/16”	3/4”
ACCE 1200	11 31/32”	3/4”







**ACCE 200 - 600**



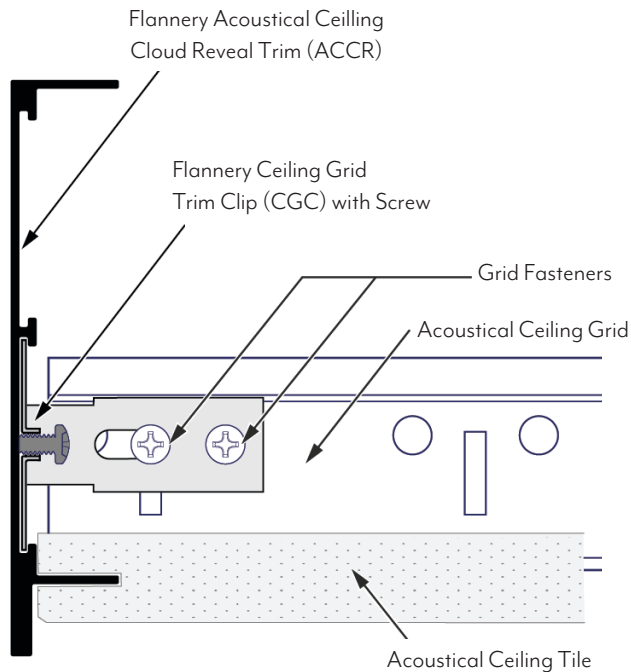
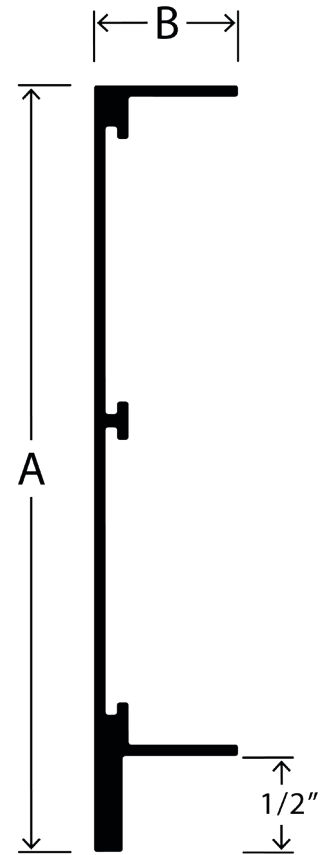
**ACCE 800 - 1200**

# ACOUSTICAL CEILING CLOUD REVEAL

## TRIM PURPOSE

Flannery's Acoustical Ceiling Cloud Reveal (ACCR) forms a solid perimeter around a suspended acoustical ceiling while also creating an aesthetic reveal between the tile and the trim. The ACCR's lower flange is meant to be inserted into acoustical tiles that are designed to hide the ceiling grid flanges when installed. Clips and splices are included.

PART NO.	"A" DEPTH	"B" WIDTH
ACCR 200	2 7/16"	3/4"
ACCR 400	3 31/32"	3/4"
ACCR 600	5 13/16"	3/4"

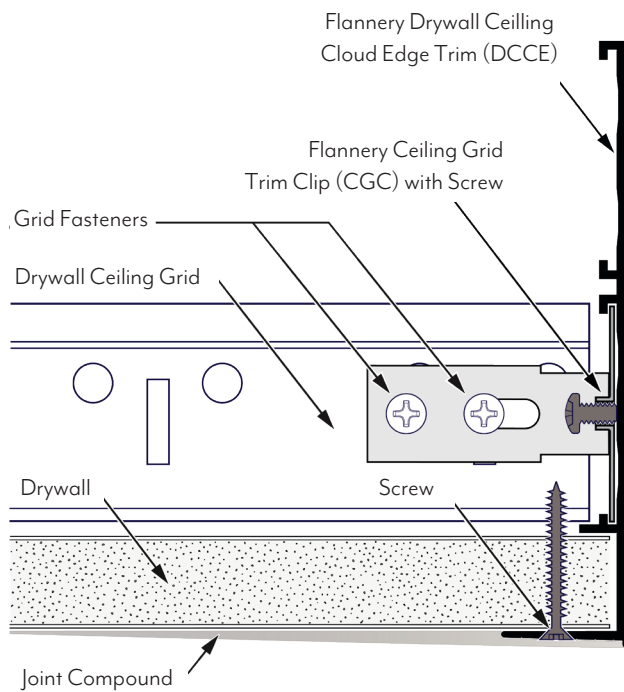
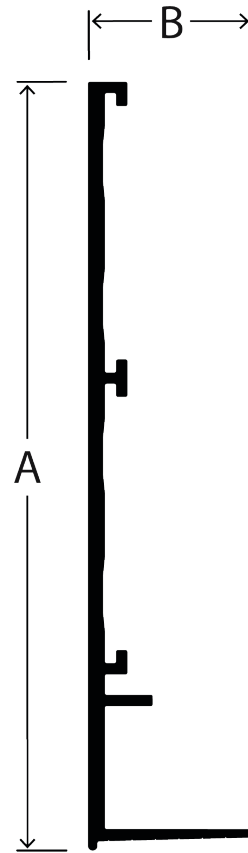


# DRYWALL CEILING CLOUD EDGE

## TRIM PURPOSE

Flannery's Drywall Ceiling Cloud Edge (DCCE) trim attaches to suspended drywall ceiling track to create a solid edge for the ceiling. The DCCE reduces material and labor costs by eliminating the need for attaching additional drywall and cornerbeads to finish the edges of a suspended drywall ceiling. Clips and splices are included.

PART NO.	"A" DEPTH	"B" WIDTH
DCCE 250	2 1/2"	3/4"
DCCE 400	4"	3/4"
DCCE 600	6"	3/4"

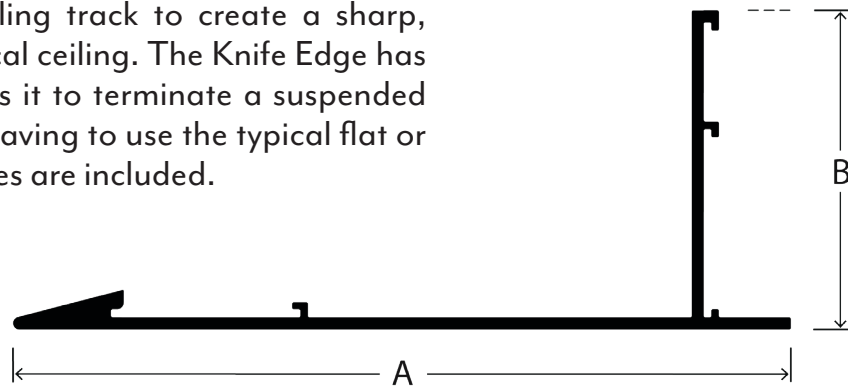




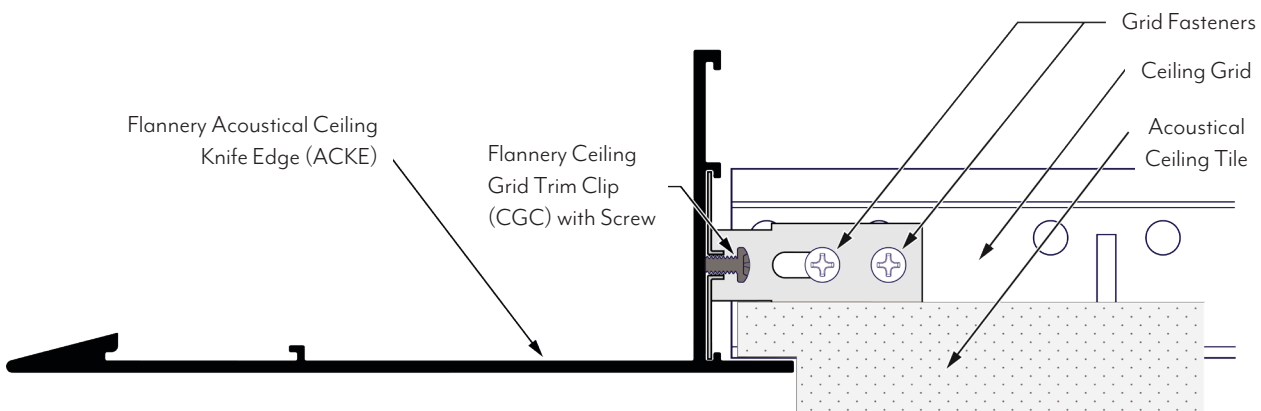
# ACOUSTICAL CEILING KNIFE EDGE

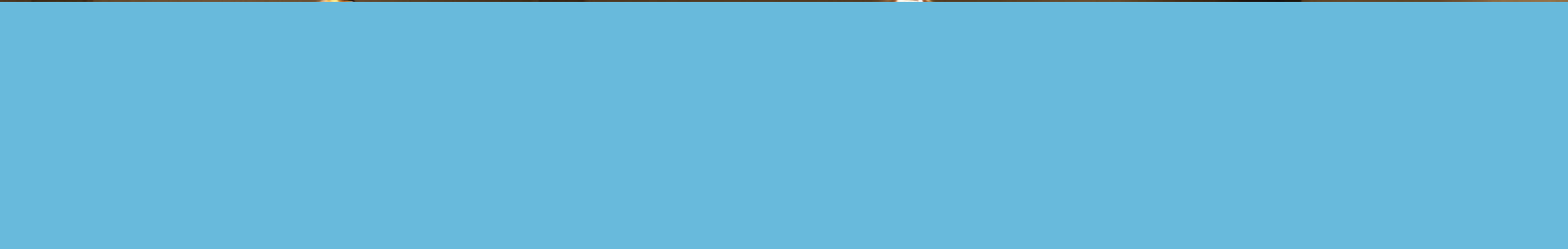
## TRIM PURPOSE

Flannery's Acoustical Ceiling Knife Edge (ACKE) trim attaches to suspended ceiling track to create a sharp, sloped edge for an acoustical ceiling. The Knife Edge has a unique design that allows it to terminate a suspended acoustical ceiling without having to use the typical flat or square trim. Clips and splices are included.



PART NO.	"A" DEPTH	"B" WIDTH
ACKE 250-600	6"	2 - 1/2"
ACKE 150-300	3"	1 - 1/2"







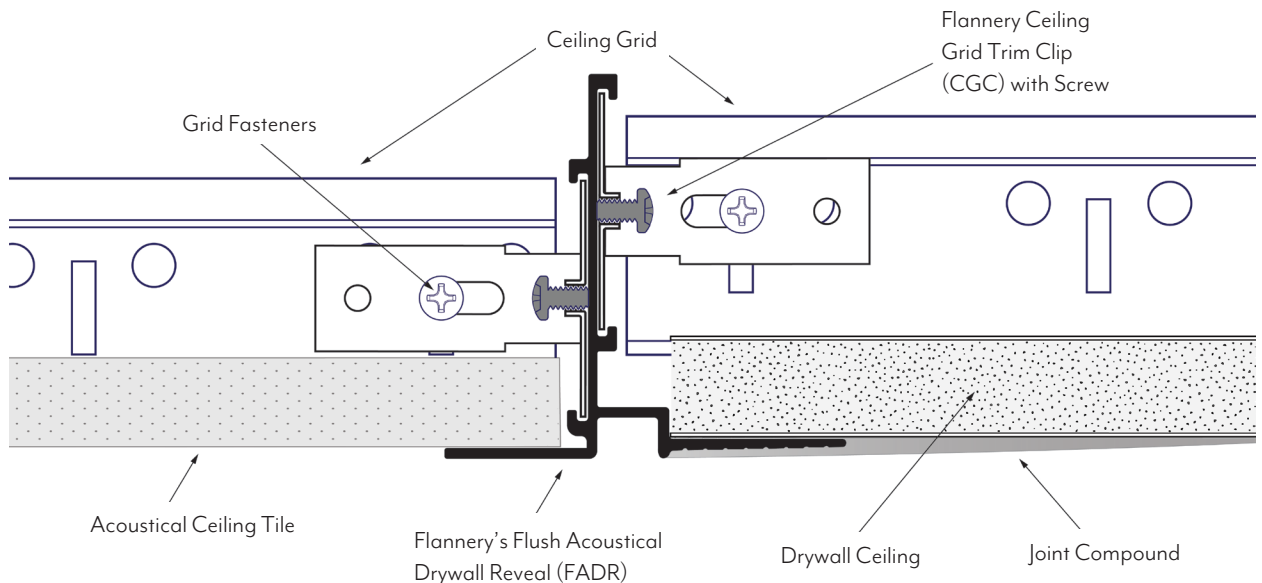
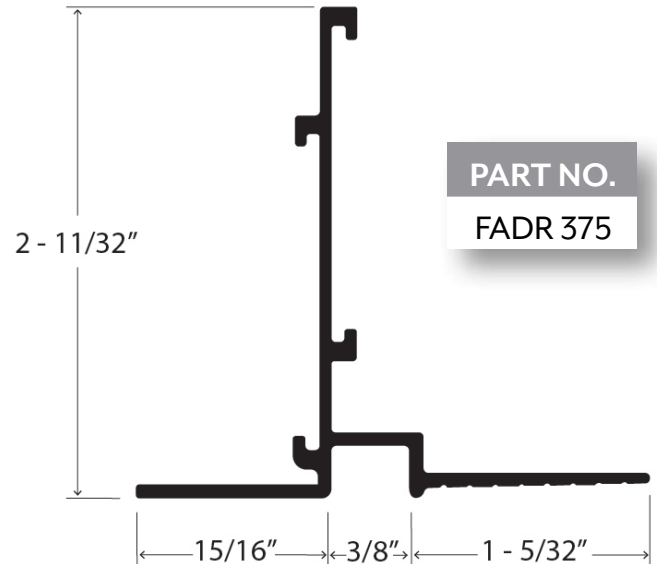
# CEILING TRANSITION TRIMS



# FLUSH ACOUSTICAL DRYWALL REVEAL

## TRIM PURPOSE

Flannery's Flush Acoustical to Drywall Transition Reveal (FADR) is an aluminum trim that allows a suspended acoustical ceiling to transition to a gypsum board ceiling on the same plane. It accommodates the different levels of ceiling grid that is required between an ACT panel compared to a drywall panel. The FADR has a reveal to mimic certain ceiling grid styles as well as creating a defined break between one ceiling material and another.

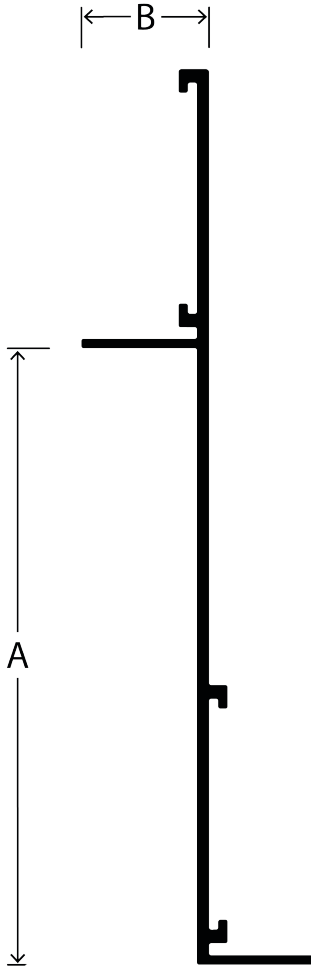




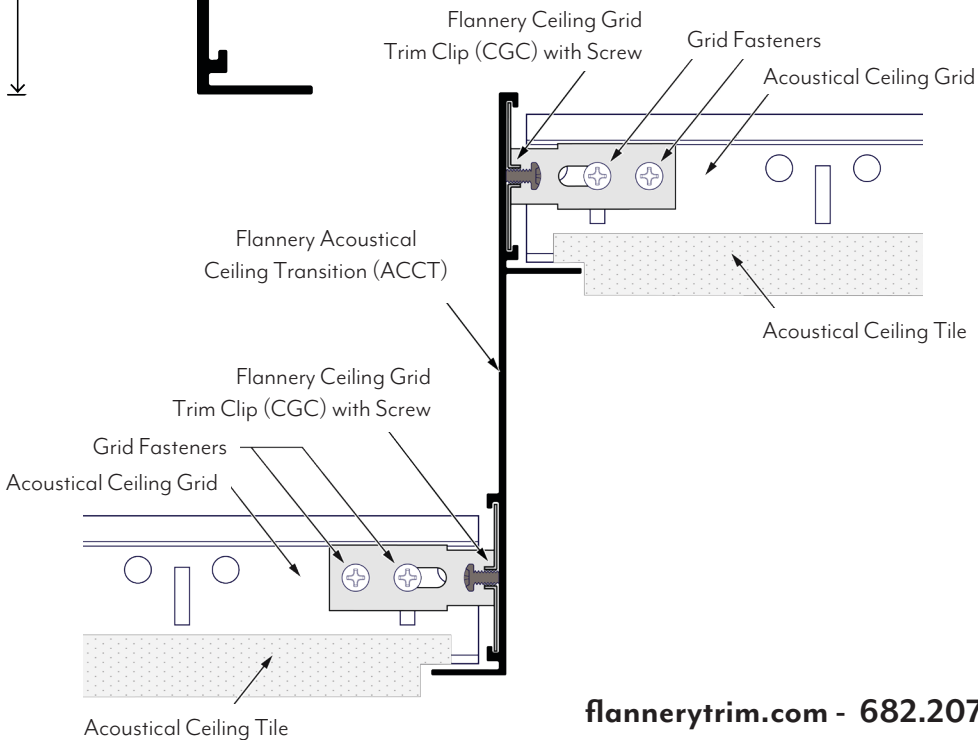
# ACOUSTICAL CEILING CLOUD TRANSITION

## TRIM PURPOSE

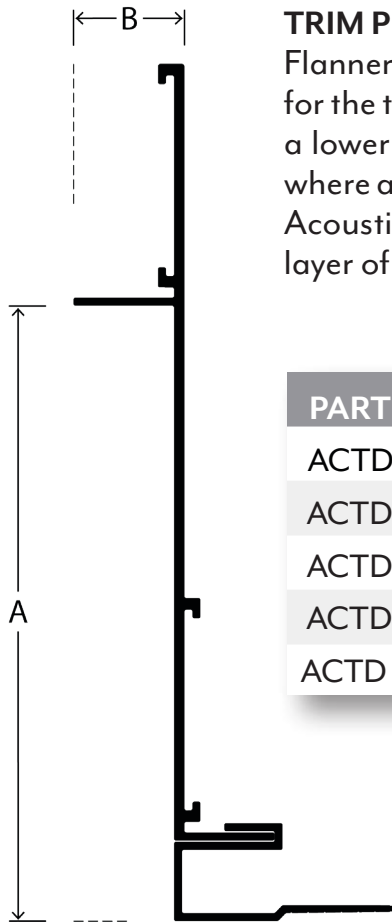
Flannery's Acoustical Ceiling Cloud Transition (ACCT) allows for the transition from one suspended acoustical ceiling plane to an upper or lower ceiling plane that also utilizes acoustical tiles. The Cloud Transition gives the designer the ability to transition their ceiling heights without the need for framing. Clips and Splices are included.



PART NO.	"A" DEPTH	"B" WIDTH
ACCT 200	2"	¾"
ACCT 400	4"	¾"
ACCT 600	6"	¾"
ACCT 800	8"	¾"
ACCT 1000	10"	¾"
ACCT 1200	12"	¾"



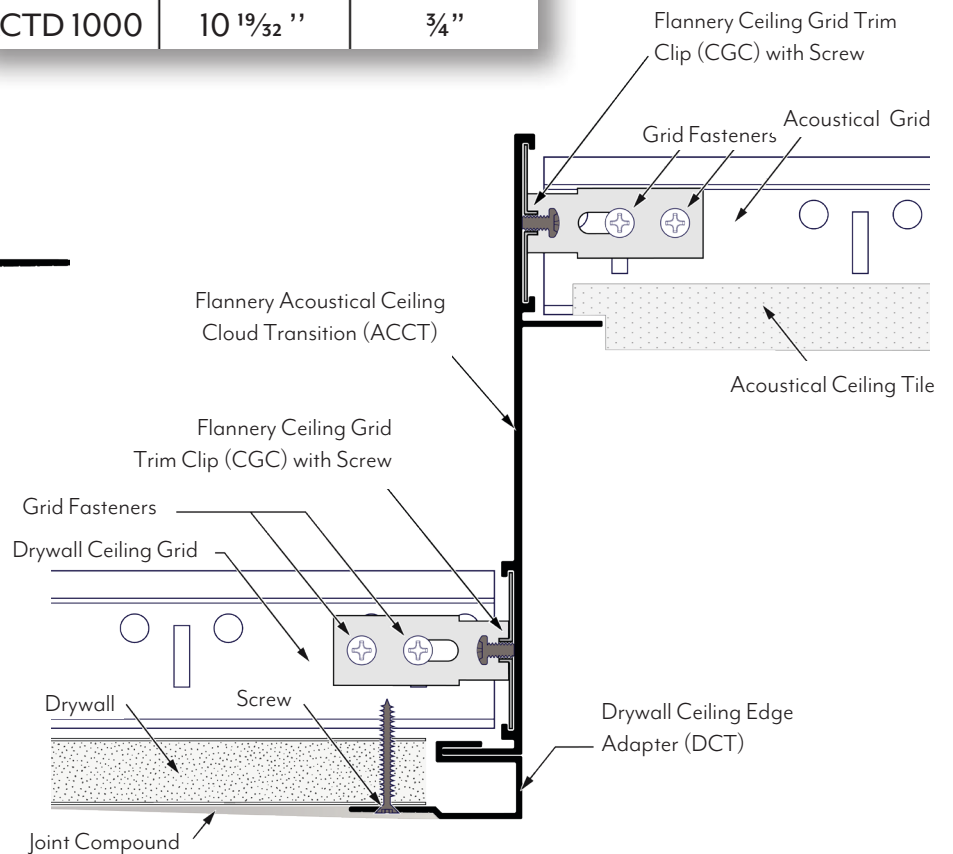
# ACOUSTICAL CEILING TRANSITION TO DRYWALL



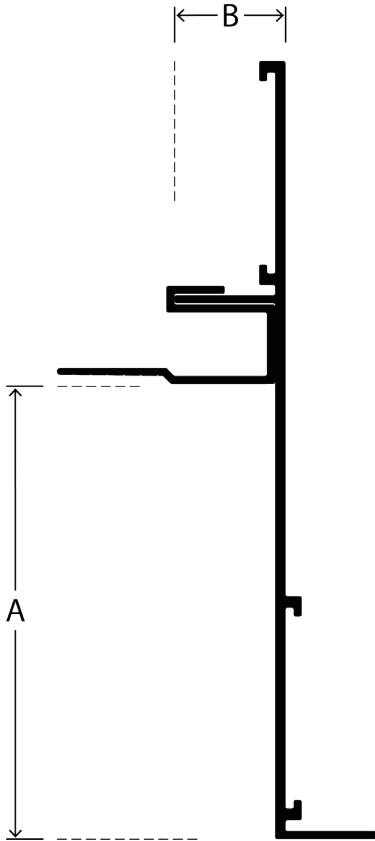
## TRIM PURPOSE

Flannery's Acoustical Ceiling Transition to Drywall (ACTD) allows for the transition from an upper suspended acoustical ceiling plane to a lower drywall ceiling plane. The ACTD comes as a two-piece trim where a Drywall Ceiling Edge Adapter (DCT) is hooked to a standard Acoustical Ceiling Cloud Transition (ACCT) trim in order to receive a layer of gypsum board. Clips and splices are included.

PART NO.	"A" DEPTH	"B" WIDTH
ACTD 200	2 19/32"	3/4"
ACTD 400	4 19/32"	3/4"
ACTD 600	6 19/32"	3/4"
ACTD 800	8 19/32"	3/4"
ACTD 1000	10 19/32"	3/4"



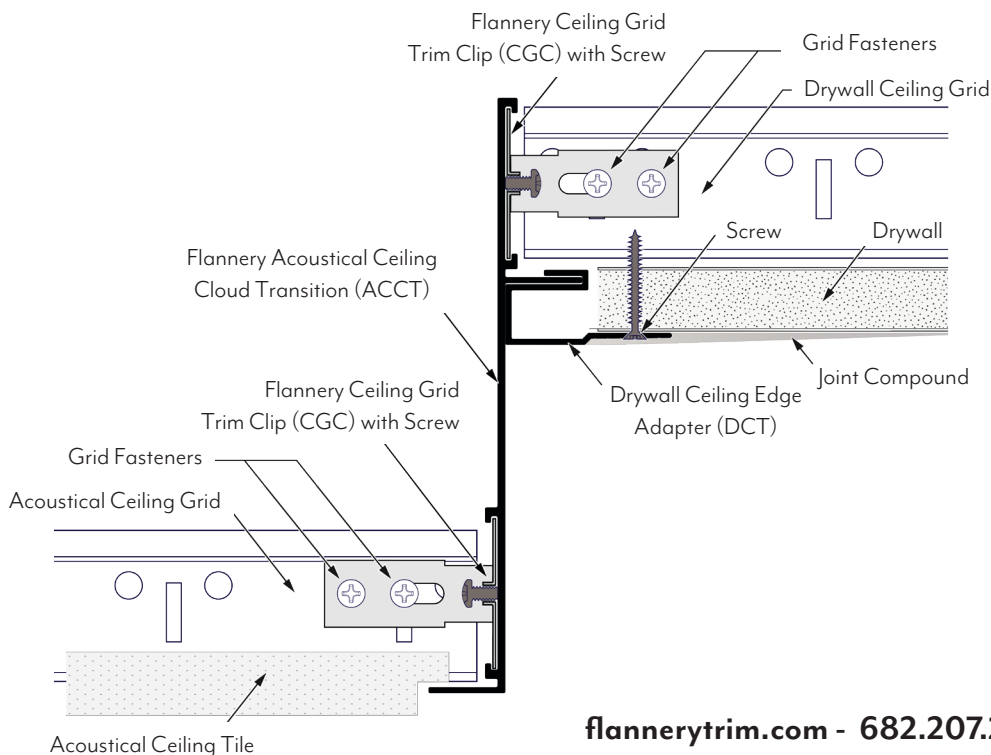
# DRYWALL CEILING TRANSITION TO ACOUSTICAL



## TRIM PURPOSE

Flannery's Drywall Ceiling Transition to Acoustical (DCTA) allows for the transition from an upper drywall ceiling plane to a lower suspended acoustical ceiling plane. The DCTA comes as a two-piece trim where a Drywall Ceiling Edge Adapter (DCT) is hooked to a standard Acoustical Ceiling Cloud Transition (ACCT) trim in order to receive a layer of gypsum board. Clips and splices are included.

PART NO.	"A" DEPTH	"B" WIDTH
DCTA 200	1 13/32"	3/4"
DCTA 400	3 13/32"	3/4"
DCTA 600	5 13/32"	3/4"
DCTA 800	7 13/32"	3/4"
DCTA 1000	9 13/32"	3/4"

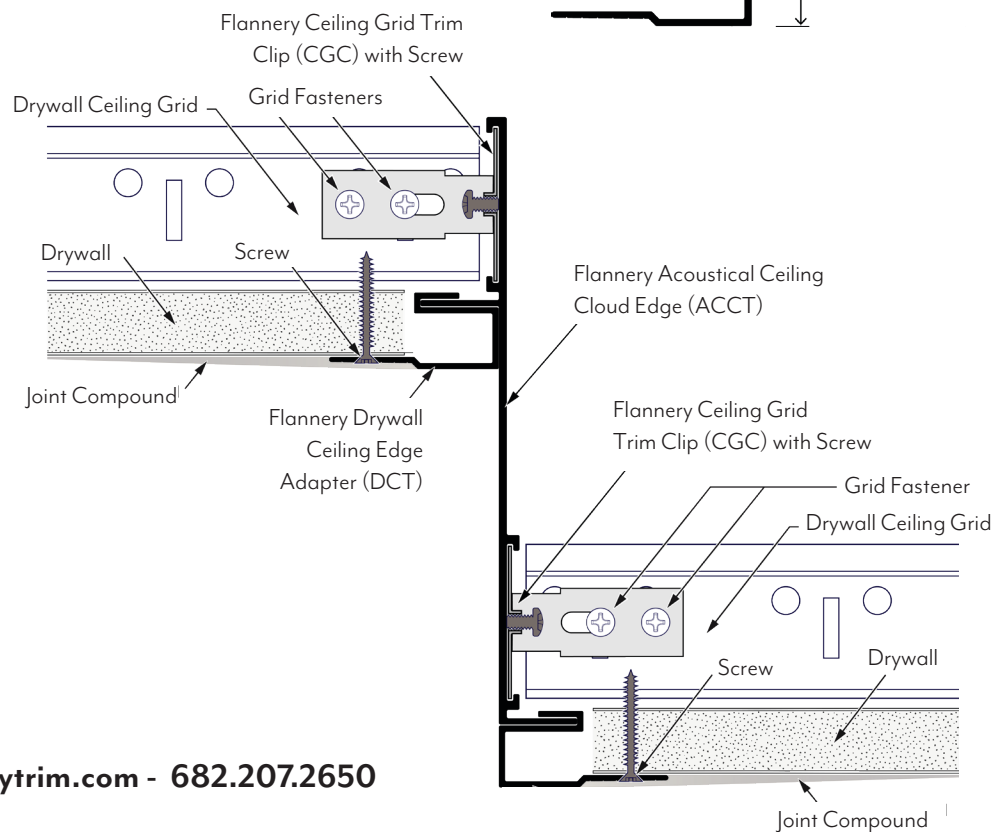
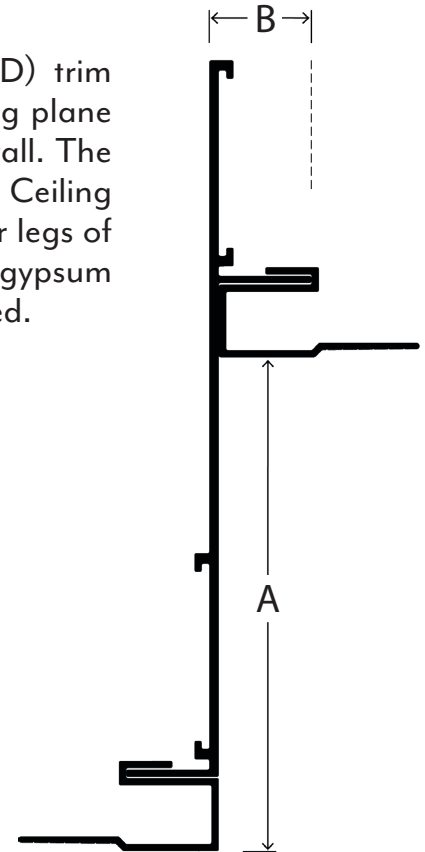


# DRYWALL CEILING TRANSITION TO DRYWALL

## TRIM PURPOSE

Flannery's Drywall Ceiling Transition to Drywall (DCTD) trim allows for the transition from a suspended drywall ceiling plane to an upper or lower ceiling plane that also utilizes drywall. The DCTD comes as a three-piece trim in which two Drywall Ceiling Edge Adapters (DCT) are hooked to the upper and lower legs of a Ceiling Cloud Transition (ACCT) to receive a layer of gypsum board on both ceiling planes. Clips and Splices are included.

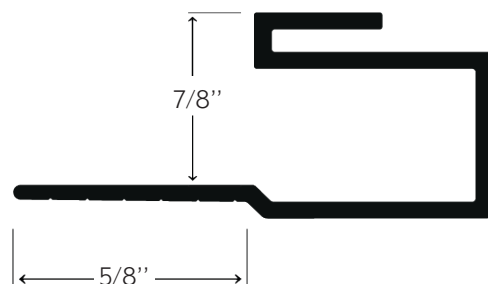
PART NO.	"A" DEPTH	"B" WIDTH
DCTD 200	2"	3/4"
DCTD 400	4"	3/4"
DCTD 600	6"	3/4"
DCTD 800	8"	3/4"
DCTD 1000	10"	3/4"



# DRYWALL CEILING EDGE ADAPTER

## TRIM PURPOSE

Flannery's Drywall Ceiling Edge Adapter (DCT) is utilized to convert some of the standard acoustical ceiling trim into trims that can receive drywall or gypsum board. They are typically installed with Flannery's Acoustical Ceiling Cloud Transition trims and can be purchased separately when needed. The Drywall Ceiling Trim Adapter was designed to receive 5/8" thick gypsum board. Please contact Flannery for the compatibility of the Drywall Ceiling Edge Adapter to another ceiling trim.

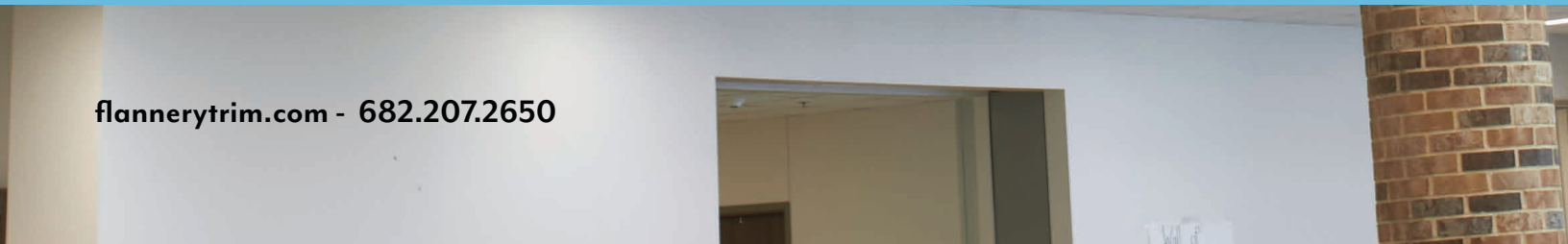


PART NO.

DCT 625



[flannerytrim.com](http://flannerytrim.com) - 682.207.2650





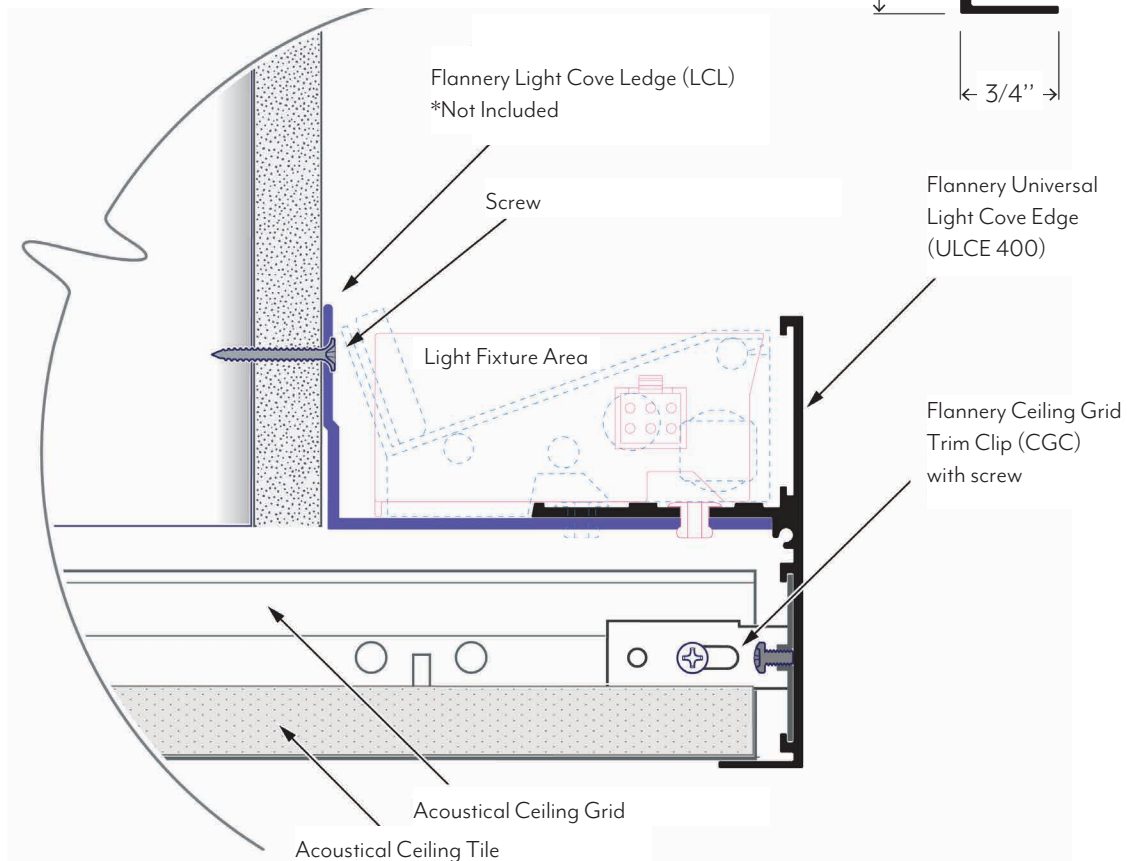
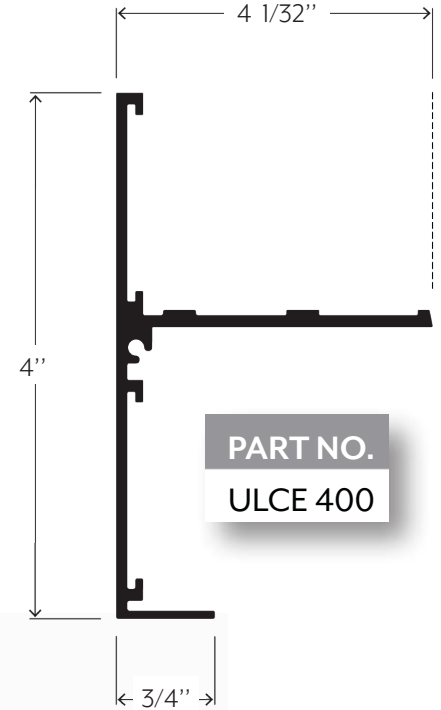
# UNIVERSAL LIGHT COVE TRIMS



# UNIVERSAL LIGHT COVE EDGE

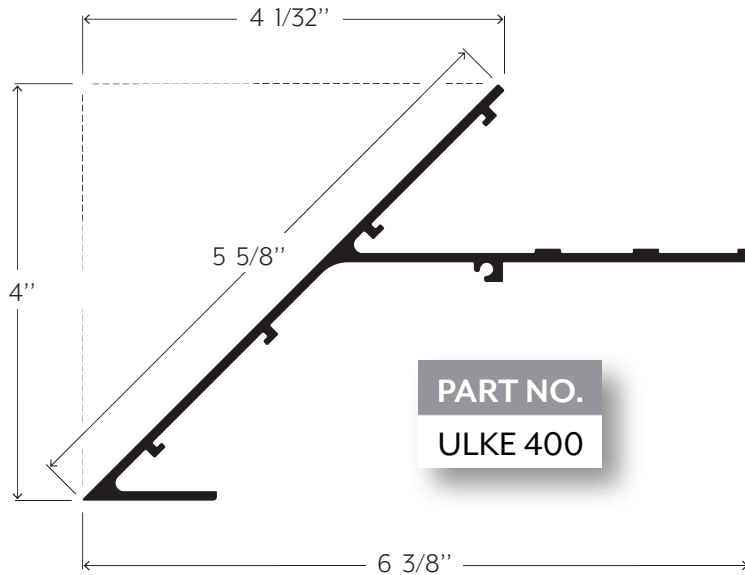
## TRIM PURPOSE

Flannery's Strata Universal Light Cove Edge (ULCE) is an extruded aluminum trim that attaches to suspended ceiling grid to create a ledge for LED's or light fixtures. It allows for an indirect lighting effect above acoustical ceiling grid and tile. Our Light Covers are called "Universal" since any LED or Light Fixture manufacturer can be integrated into them. Clips and splices are included.



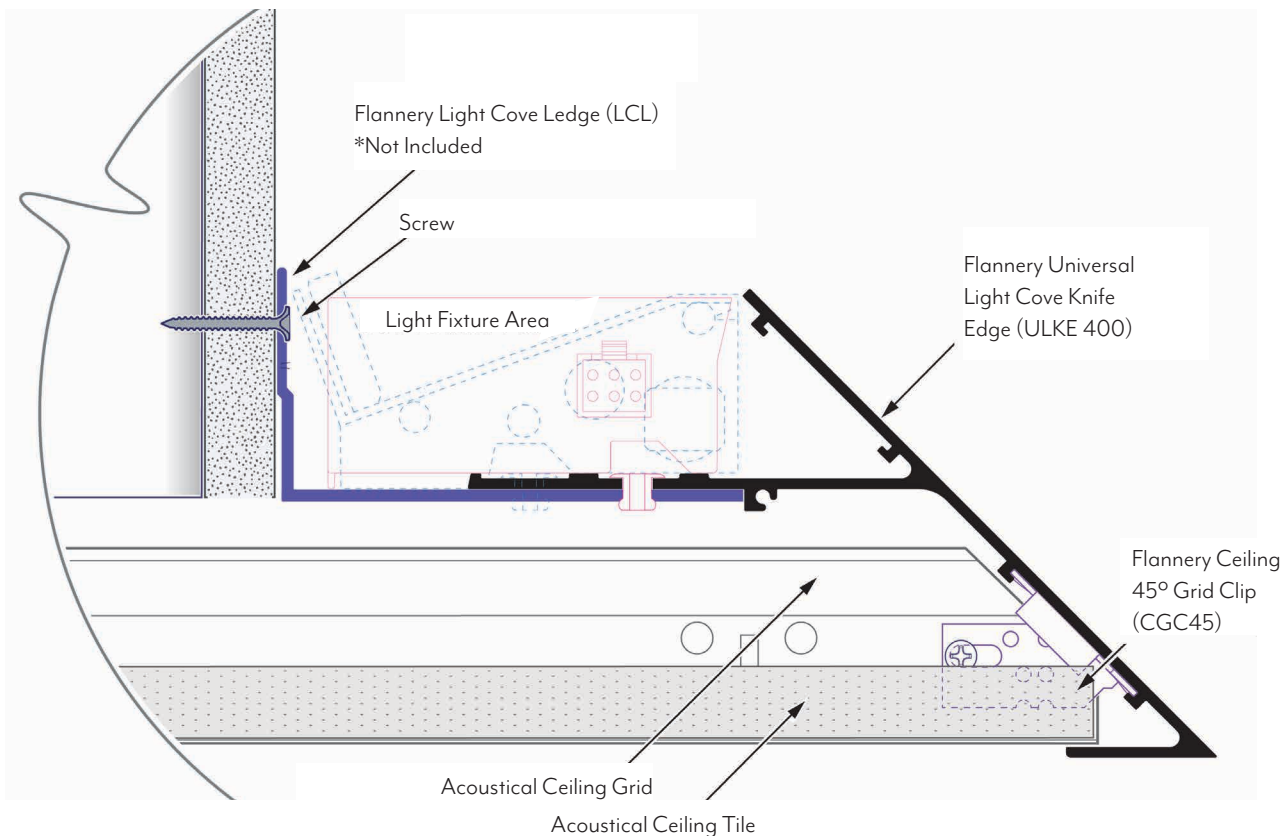


# UNIVERSAL LIGHT COVE KNIFE EDGE



## TRIM PURPOSE

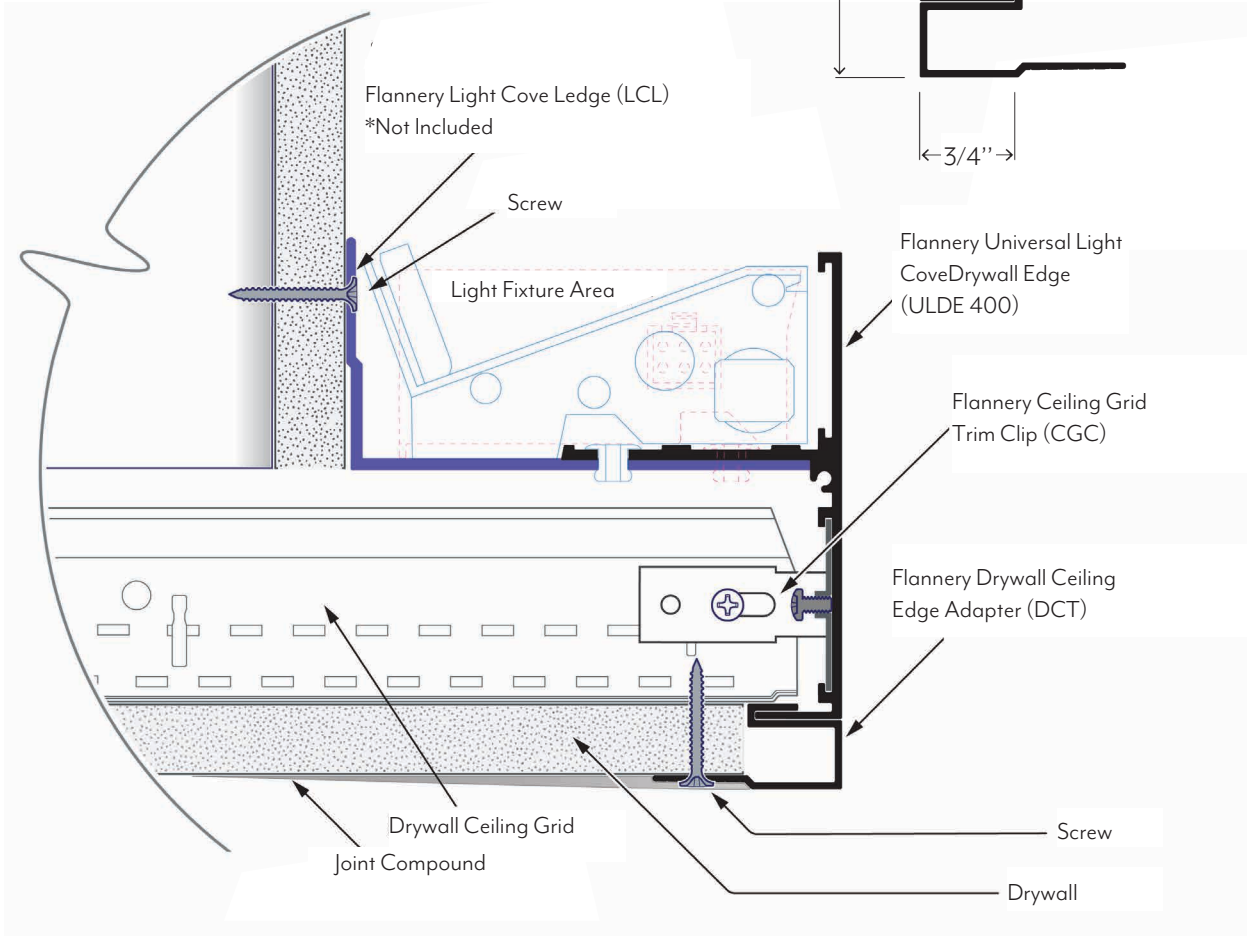
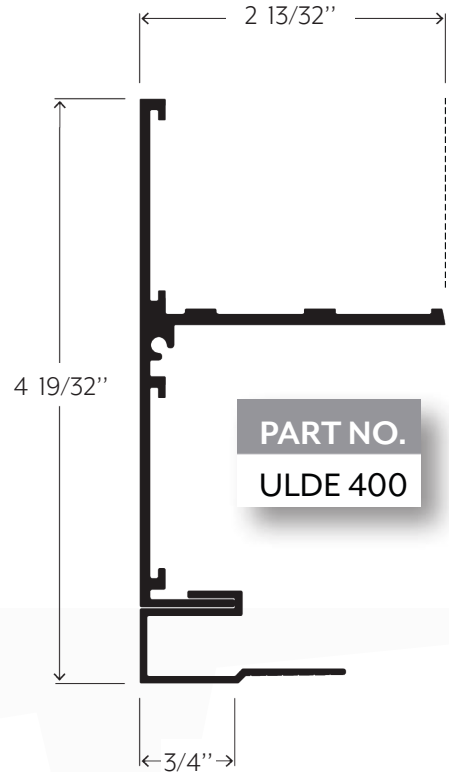
Flannery's Strata Universal Light Cove Knife Edge (ULKE) is an aluminum trim that attaches to suspended ceiling grid to create a ledge for LED's or light fixtures. The ULKE has a sloped edge to create a unique cove detail instead of a straight line. Our Light Coves are called "Universal" since any LED or Light Fixture manufacturer is able to be integrated into them. Clips and splices are included.



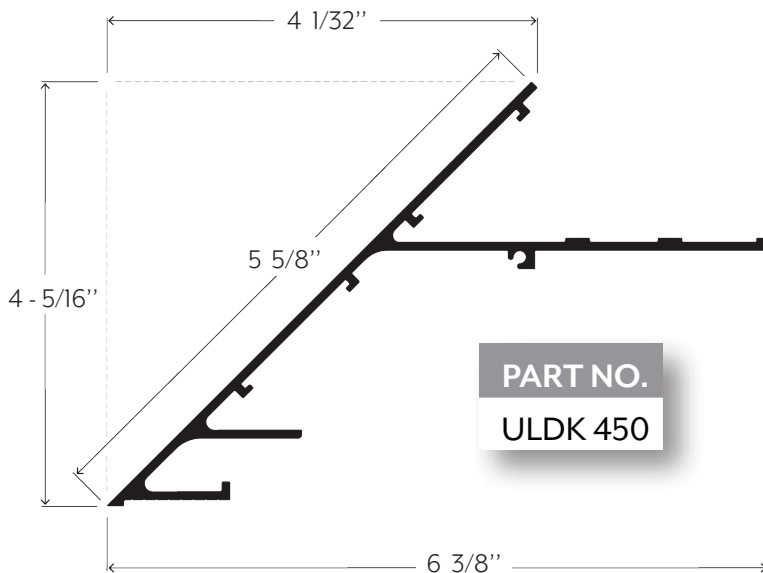
# UNIVERSAL LIGHT COVE DRYWALL EDGE

## TRIM PURPOSE

Flannery's Strata Universal Light Cove Drywall Edge (ULDE) is an extruded aluminum trim that creates a ledge for LED's or a light fixture over a suspended drywall ceiling and allows for an indirect lighting effect. Our Light Coves are called "Universal" since any LED or Light Fixture manufacturer can be integrated into them. Clips and splices are included.

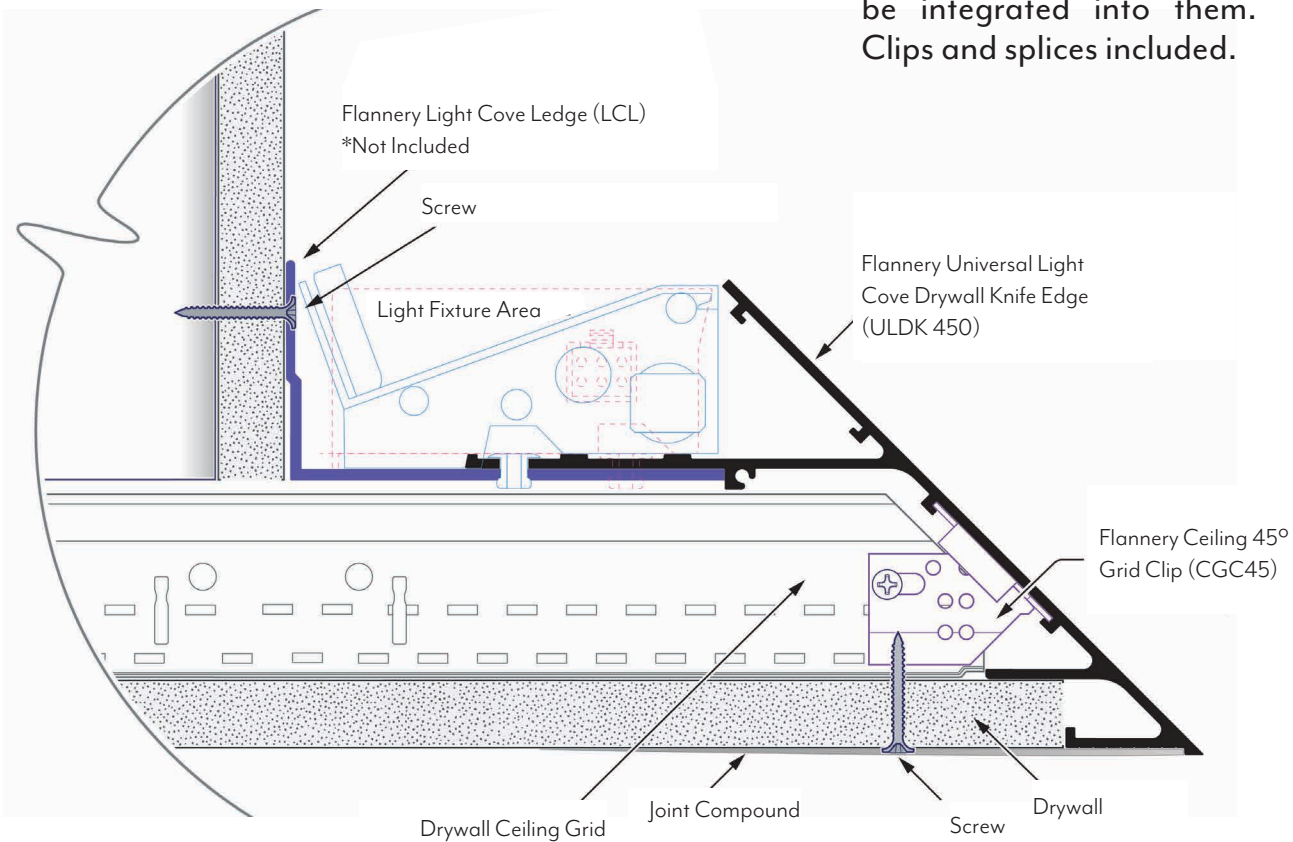


# UNIVERSAL LIGHT COVE DRYWALL KNIFE EDGE



## TRIM PURPOSE

Flannery's Strata Universal Light Cove Drywall Knife Edge (ULDK) is an aluminum trim that creates a ledge for LED's or a light fixture over 5/8" suspended drywall ceiling and allows for an indirect lighting effect. The ULDK has a sloped edge to create a unique cove detail instead of a straight line. Our Light Coves are called "Universal" since any LED or Light Fixture manufacturer can be integrated into them. Clips and splices included.

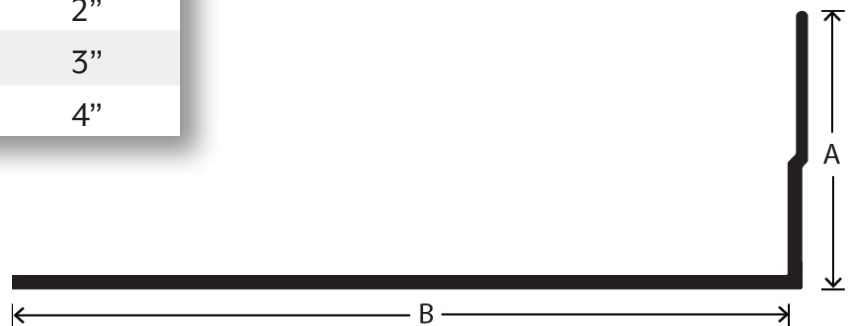


# LIGHT COVE LEDGE

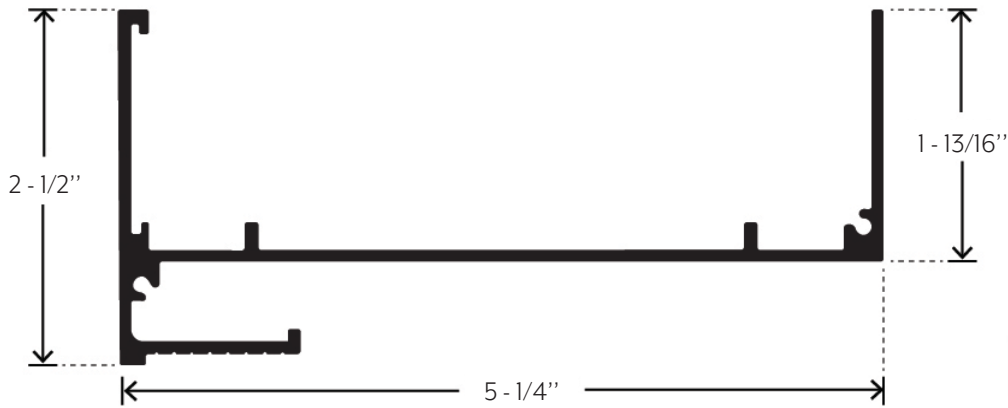
## TRIM PURPOSE

Flannery's Light Cove Ledge (LCL) is used to create a "shelf effect" with any of our Universal Light Cove trims. The LCL can allow for a larger light fixture if needed behind a Light Cove trim and add support to the cove. The Light Cove Ledge can also be attached to an Acoustical Transition (ACCT) trim to create a Light Cove Box between two different ceiling heights.

PART NO.	"A" DEPTH	"B" WIDTH
LCL 200	1 ½"	2"
LCL 300	1 ½"	3"
LCL 400	1 ½"	4"



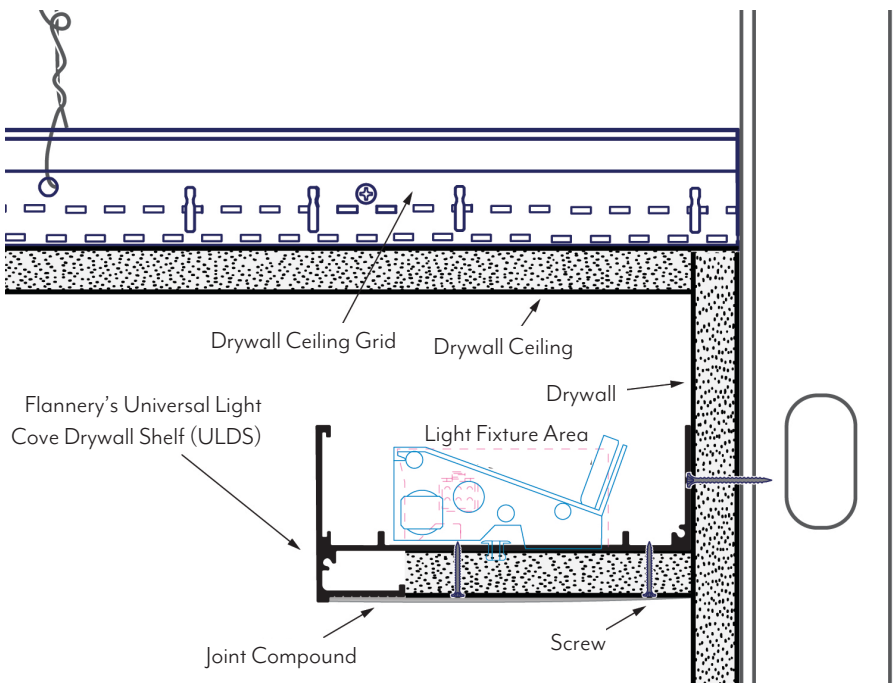
# UNIVERSAL LIGHT COVE DRYWALL SHELF



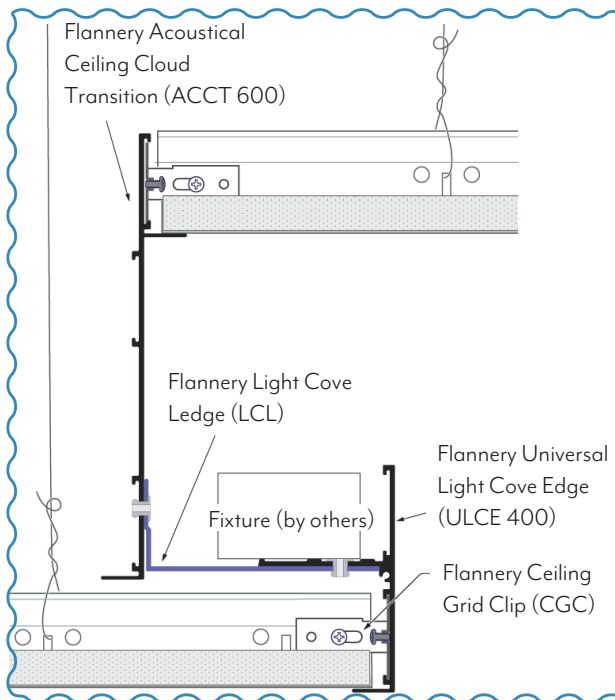
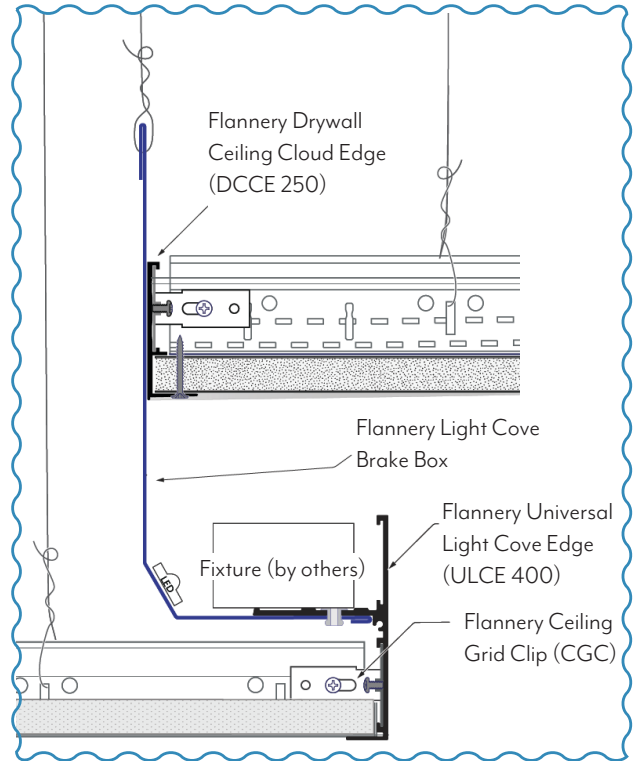
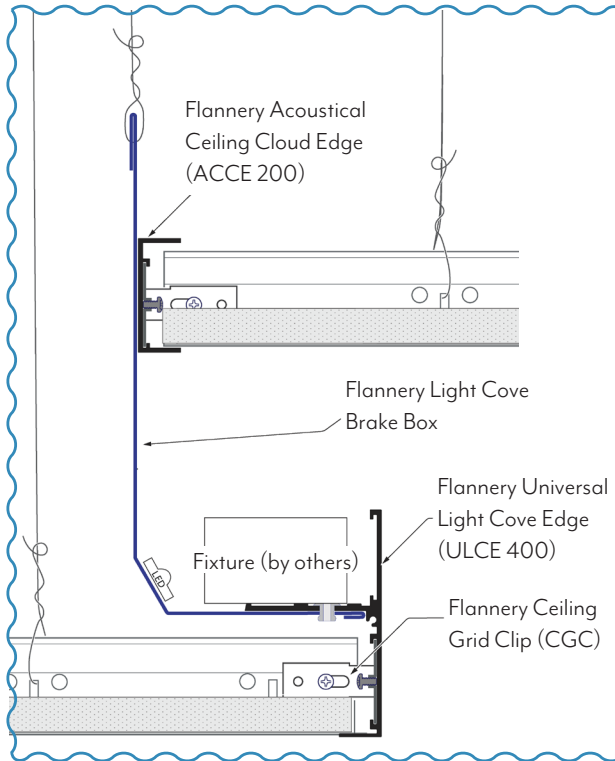
**PART NO.**  
**ULDS 250-525**

## TRIM PURPOSE

Flannery's Universal Light Cove Drywall Shelf (ULDS) is an extruded aluminum trim that attaches to a vertical wall to create a shelf or ledge for an LED or standard light fixture. The lower leg on the ULDS is built to accommodate drywall and can receive drywall mud to create a seamless transition between the trim and the vertical wall.

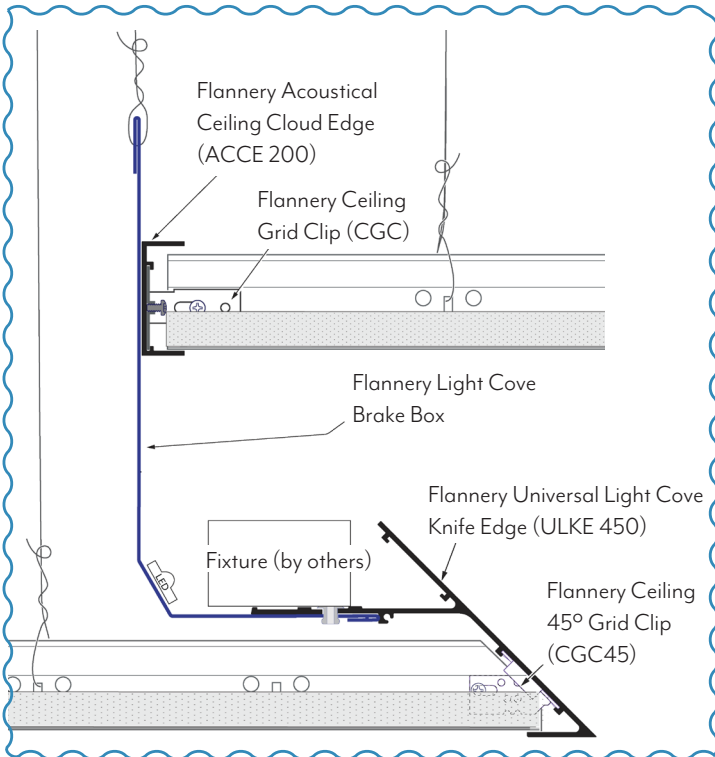


# UNIVERSAL LIGHT COVE BOX OPTIONS



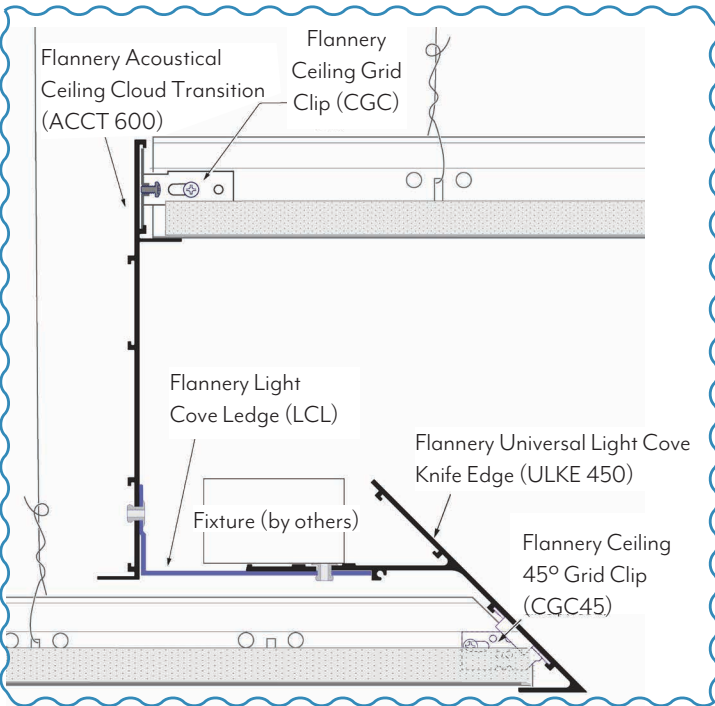
## PLEASE NOTE

The options you see here are a few examples of how our Universal Light Cove Trims can be used with other Strata Trims and Brake Shapes to create a Light Cove Box. If you have any questions, contact us and one of our reps can help!



## TRIM PURPOSE

- Creates a light cove box for a light fixture between two levels of suspended ceilings
- Holds a variety of LED Light Fixtures or LED Strips for a light cove effect
- Light Cove Boxes come in a variety of transition heights
- Can be made with any of our Universal Light Cove Trims (drawings are examples of ULCE and ULKE usage)
- Grid Clips and Trim Splices are provided for ease of installation



## SPECIFICATIONS

- Some options are manufactured from both extruded aluminum and brake formed aluminum
- Extruded aluminum is alloy 6063 T5
- Brake aluminum alloy is 5052
- Three components can be pop-riveted together to be hung at one time
- Nominal wall thickness of .063" or greater
- Available in 10' lengths





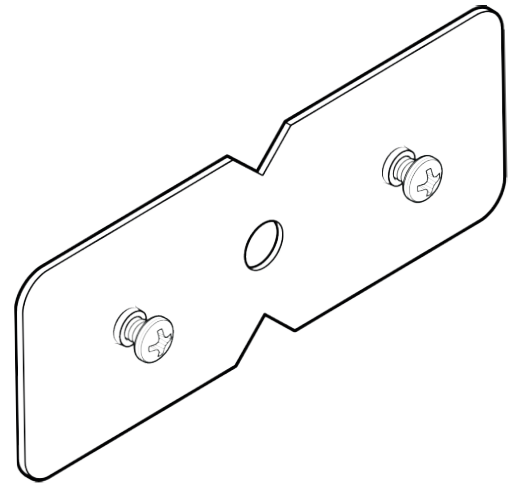


# HARDWARE AND FABRICATION

# CEILING CLOUD TRIM SPLICE

## TRIM PURPOSE

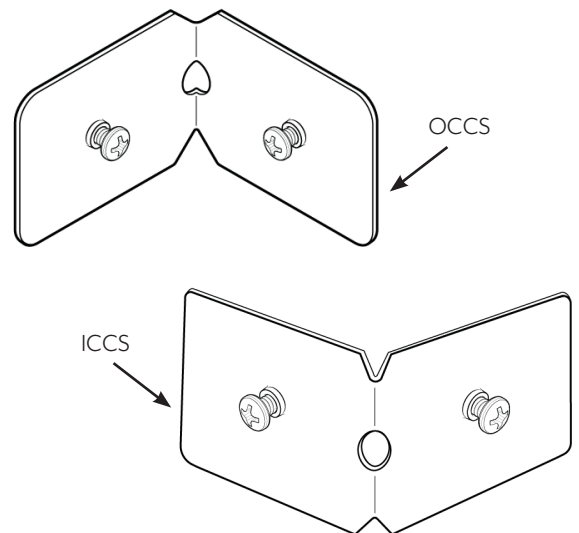
Flannery provides Ceiling Cloud Trim Splices (CCS) to ensure a level and tight butt joint between two pieces of Strata Cloud Ceiling trims. Each Splice comes with two lock screws so that each trim is locked to the other. Each ten-foot piece of trim comes with either two or four Ceiling Cloud Trim Splices depending on the size of the trim and/or its function. Additional Ceiling Cloud Trim Splices can be purchased separately.



# CEILING CLOUD TRIM 90° CORNER SPLICES

## TRIM PURPOSE

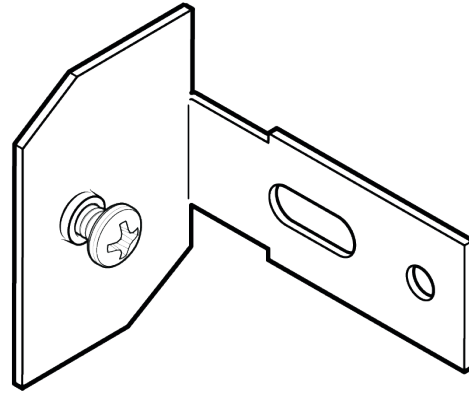
Flannery offers factory bent Ceiling Cloud Trim Splices that are bent to 90° to assist those who wish to field miter their trim for outside and inside corner joints. The bent Ceiling Cloud Trim Splices are offered as either an Outside Corner Splice (OCCS) or an Inside Corner Splice (ICCS). Please be sure to indicate the direction of the miter joint when ordering the bent Ceiling Cloud Trim Splices.



# CEILING GRID TRIM CLIP

## TRIM PURPOSE

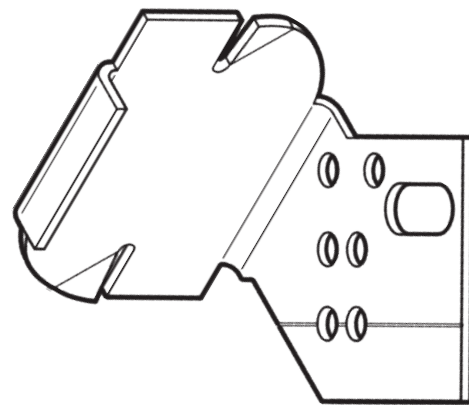
Flannery provides Ceiling Grid Trim Clips (CGC) for all of its Strata Cloud Ceiling Trims. These clips can be easily inserted into the built-in slots on the back of our trims and then tightened into place with the lock screw provided. The clip and trim are then attached to the ceiling grid with an approved fastener. Each ten-foot piece of trim comes with either six or twelve Ceiling Grid Trim Clips depending on the size of the trim and/or its function. Additional Ceiling Grid Trim Clips can be purchased separately.



# 45° CEILING GRID TRIM CLIP

## TRIM PURPOSE

Flannery provides a 45° Ceiling Grid Trim Clip (CGC45) to use with the Universal Light Cove Knife Edge trims (ULKE & ULDK). It is uniquely shaped to accommodate the sloped edge of the Light Cove Knife Edge trims and allows the installer to attach the trim to the suspended ceiling grid. The CGC45 is inserted into the slots on the back of the trim by angling the clip and then rotating it into place. The clip can then be fastened to the ceiling grid with an approved fastener. Each piece of Knife Edge trim will come with six 45° Ceiling Grid Trim Clips and additional clips can be purchased separately.

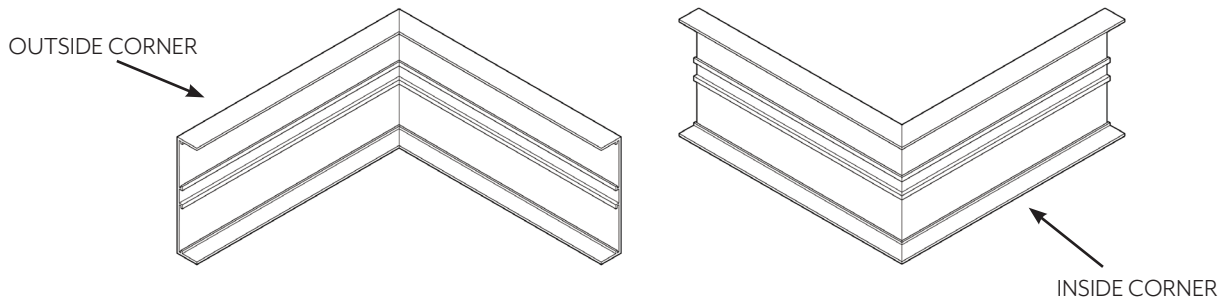




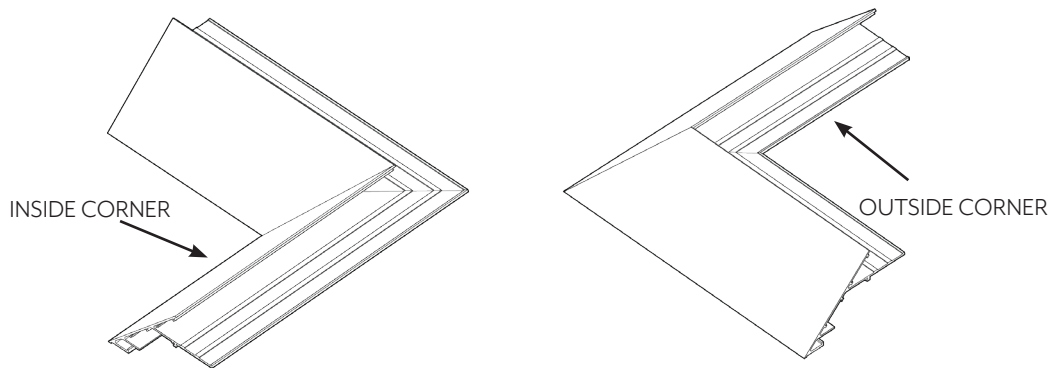
## WELDED CORNERS

Flannery offers prefabricated Inside and Outside Corners for intricate ceiling designs that utilize any of the Strata Ceiling Trims in this brochure. Factory welded corners allow the installer to maintain a straight and true layout of any rectangle or square ceiling design. The corners are painted to match the straight pieces of your specified Strata Ceiling Trims for a perfect cloud aesthetic.

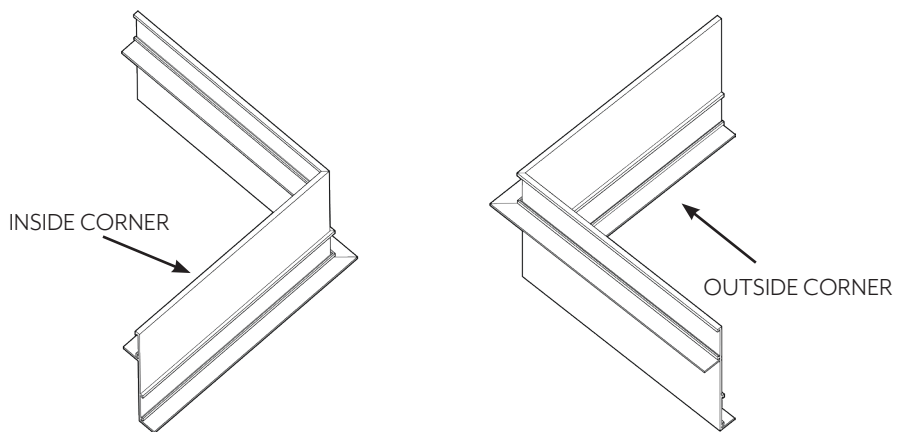
Prefabricated corners are factory mitered and then welded together to prevent separation during the edge trim installation. Factory welded corners come with 8" legs in each direction, however, custom leg lengths can be ordered. Factory mitering for custom ceiling projects such as a square or rectangular ceiling are available. Flannery can even produce "Cloud Kits" where the ceiling is cut and mitered to size and comes with bent corner Splices to join the corners of the ceilings together without welding.



### ACOUSTICAL CEILING CLOUD EDGE



### UNIVERSAL LIGHT COVE KNIFE EDGE



### ACOUSTICAL CEILING CLOUD TRANSITION

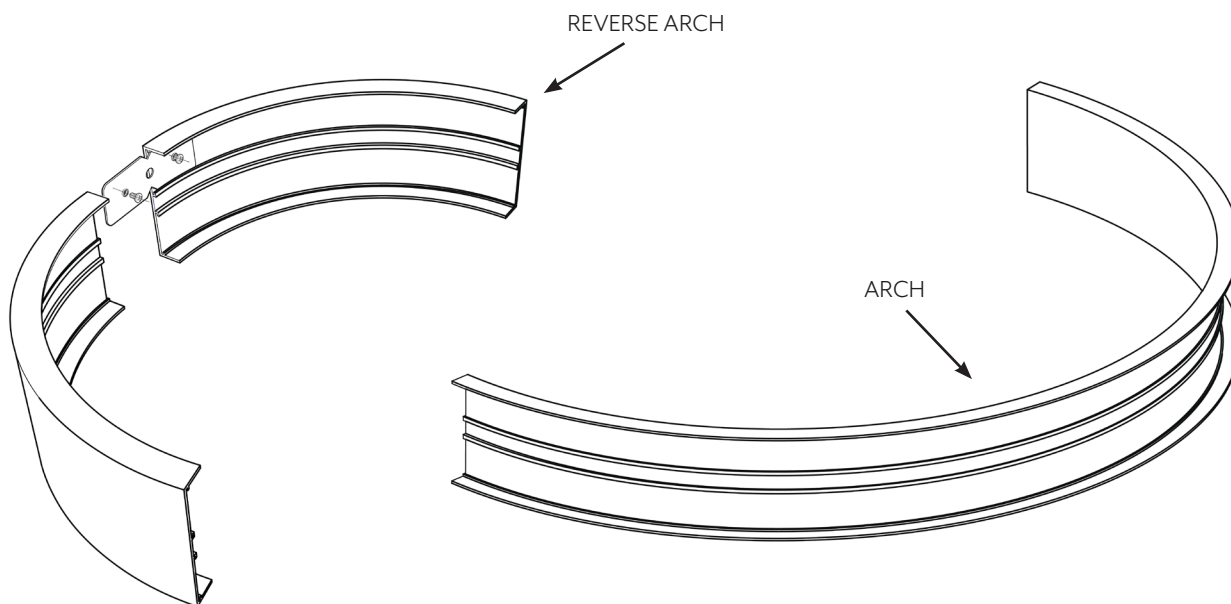


# RADIUS AND CLOUD CREATION

We can't call our ceiling products "Strata Cloud" trims if we can't make them look like a real cloud. This type of ceiling art would not be possible if we were unable to bend our trims to a ceiling design's curves.

Several of Flannery's Strata Ceiling trims can be bent and radiused to follow the contours and turns of a curved ceiling or cloud detail. This fabrication occurs in-house and allows for the designer to have the freedom to run our trim along the edge of a suspended ceiling and create diverse and unique cloud shapes.

Since Flannery does all its own bending, we can ensure the proper radius dimension is maintained in order to reduce overall lead times for custom fabrication. When a full circle is specified, we can cut the required pieces to length to allow for quick installation and no field cutting. Every piece of radius is masked with vinyl tape to protect the factory paint finish. Radius order forms are available for all Strata Ceiling Trims.



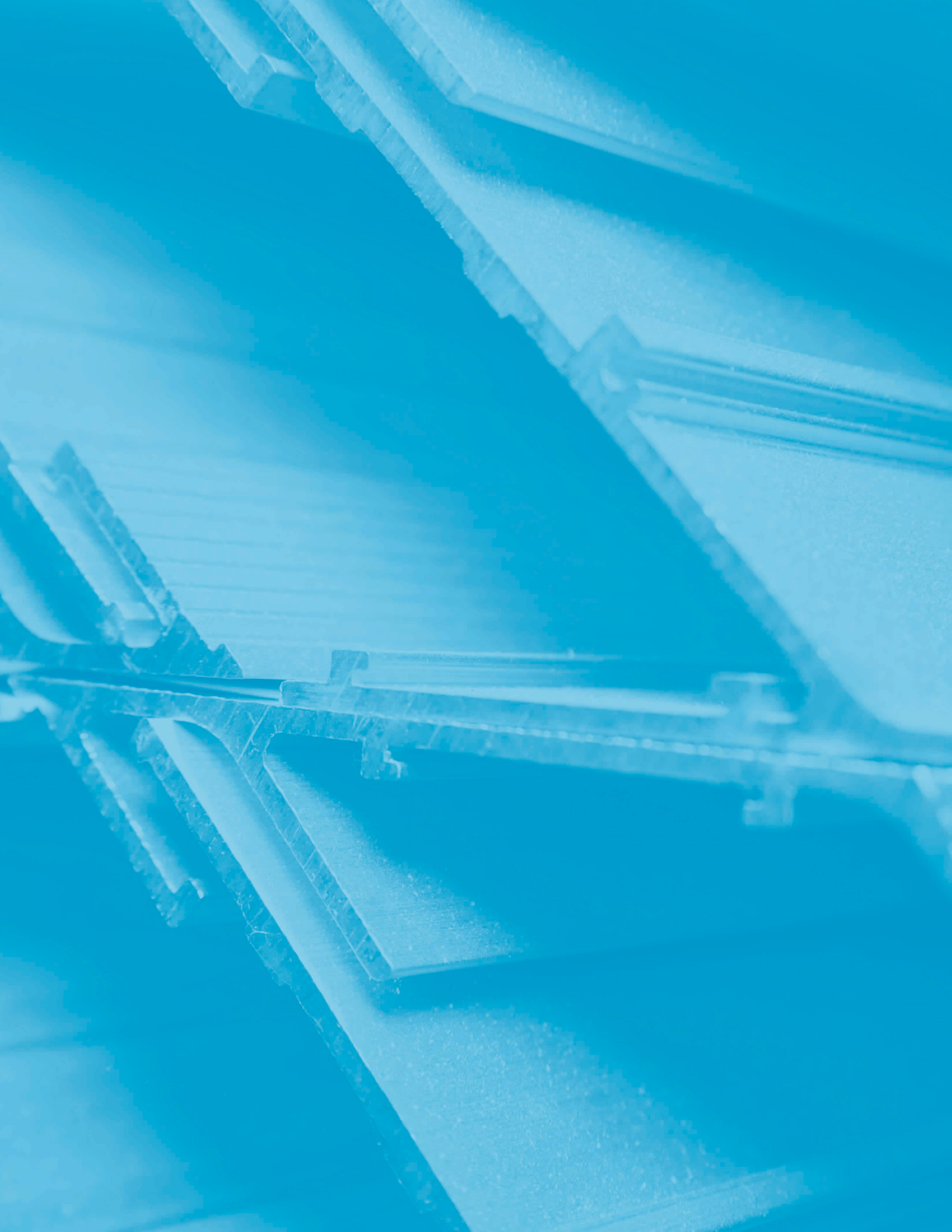
## ACOUSTICAL CEILING CLOUD EDGE







# **SPECS AND FINISHES**



# MANUFACTURER'S SPECIFICATIONS

## PRODUCT SPECIFICATIONS

Flannery recommends that any installer of Strata Cloud Ceiling Trims properly layout and coordinate the installation of trims along with the ceiling grid and hanger wires that will be utilized in the installation of the ceiling. The suspended ceiling grid and hanger manufacturer should be consulted prior to installation of grid, trim, ceiling tiles or gypsum board for load and seismic limitations or requirements.

## STRATA TRIM ALUMINUM ALLOY & COMPOSITION

Flannery's Aluminum Strata Cloud Ceiling Trims are standard extruded aluminum alloy 6063 T5 and have a typical .050" or greater nominal wall thickness. Extruded Aluminum Ceiling Trims are aesthetic trims which are not intended to hold or support the full weight of any panel or gypsum board system. Strata Cloud Trims meet or exceed ASTM B221 for extruded aluminum products.

Aluminum Strata Cloud Ceiling Trims come in 10' lengths typically and shall have a standard stock finish of Mill Finish (for field priming & painting) or a "Cloud White" factory applied Kynar® paint finish. Other factory finishes including liquid or powder coated paint, Chem-Film, Primer and special Anodizing finishes are available. All of our other finishing options can be viewed on the next page.

## HANDLING ALUMINUM TRIMS

Personal protection equipment should be utilized when handling and installing aluminum trims. Gloves and eye protection must be worn when

handling aluminum trims as well as ear protection when cutting them.

## CUTTING ALUMINUM MOLDINGS

Flannery recommends that ten-foot lengths be used wherever possible. Aluminum Moldings can be cut with a chop saw, using a 125-150-tooth carbide-tip blade for non-ferrous metal. An abrasive cut-off wheel should not be used to cut aluminum trims. Blade lubricant (WD-40 or grease stick) must be applied to the blade before each cut. Lubricant should be cleaned from the trim prior to installation.

## STEPS FOR FIELD PAINTING MILL FINISH(RAW) ALUMINUM MOLDINGS

1. Clean and treat moldings in accordance with the paint manufacturer's specifications.
2. Use a primer recommended by the paint manufacturer.
3. Apply the paint coat according to the paint manufacturer's specifications.
4. Flannery makes no guarantees, nor accepts any responsibility, for the performance of field-applied coatings over anodized finishes.
5. If aluminum trim has an alternate finish, contact Flannery for field painting instructions.

## INSTALLATION INSTRUCTIONS

Due to all the unique trims and applications in this catalog, the installation details are expansive. To view them for each individual trim, please visit [flannerytrim.com](http://flannerytrim.com).

# FACTORY FINISHES

## MILL FINISH

“Mill Finish” is the term that Flannery uses to describe its aluminum trims that have no finish applied to them. In other words, it is raw aluminum from our mill and can be field primed and painted. Typically, Mill Finish has a shiny or “mirror-like” appearance with some visible manufacturing lines.

Mill Finish trims must be cleaned before field priming. Typically, soapy water can clean most oils or production residue from the surface of the trim. Sufficient drying time should be planned for before primer is applied. The paint manufacturer should be consulted when choosing a primer for aluminum trims. Mill Finish trims should never be left exposed for an extended period of time, since this may allow the metal to begin the oxidation process.

## KYNAR® PAINT FINISH

The standard stock finish for Flannery’s Strata Cloud trims is our “Cloud White” color which is a factory applied Kynar® paint. Kynar® is a 70% fluoropolymer resin based 2-coat baked on paint that is offered by Flannery and can be used where high durability is needed or an existing color must be matched. Kynar® finishes are highly resistant to chalking & ultraviolet deterioration. They are also highly resistant to chemicals, salt spray, and industrial pollutants.

Flannery recommends these finishes for trims on exteriors in harsh environments including coastal areas where salt air is most common. Kynar® paint finishes are available in custom colors. Please note that some finishes will require a Kynar® XL (with

topcoat) finish due to the exotic nature of the color. Please have the color code or sample available when requesting a quote for custom colors.

Kynar® Paint Finishes shall meet or exceed AAMA 605.2 Specification “Voluntary Specification for High Performance Organic Coatings on Architectural Extrusion Panels.” Meets or exceeds a nominal dry film thickness of 1.2 mil. (Kynar® is a registered trademark of Atochem North America, Inc).

## POWDER COATED PAINT FINISHES

Flannery offers Powder Coated Paint Finishes on all its aluminum trims. Flannery’s factory powder-coated paint process can match any paint manufacturer’s number or match a custom paint color to provide the desired aesthetic finish. Powder-coated paint finishes are applied to aluminum trims after a factory primer has been applied. Please have the color code or sample available when requesting a quote for custom colors.

Powder-Coated Paint finishes shall meet or exceed the dry film thickness of 1.2 mil as specified in AAMA 2605 SEC 4.3. Color uniformity will meet or exceed the requirements of AAMA 2605 SEC 7.1.

## POWDER COATED “WOOD GRAIN”

Flannery is also able to offer Powder-Coated “Wood Grain” Finishes on all its aluminum trims to mimic the color and grain of real wood. This two-step finishing process where the trims are powder coated and then “impregnated” with a wood grain effect will allow any of our aluminum trims to appear to be a wood finish. Samples can be provided by Flannery for approval or wood finishes can be matched to job requirements.

## CHEMICAL CONVERSION FINISH

Chem-film (aka Alodine) is a chemical conversion process that prepares aluminum extrusions for field painting. It is a multi-step cleaning and aluminum preparation process. First, it cleans the aluminum trim and then it acts as a protective coating until primer and paint can be applied. If your job requires field painting, a chemical conversion coating can be specified. Chem-film Treatment or Alodine treatment of aluminum moldings to conform to ASTM D 1730 Type B and MIL-C-5541A.

## FACTORY PRIMER

Flannery offers a Factory Primer option to reduce labor in the field. Flannery's Strata Cloud Trims can be ordered with a pre-applied primer from PPG Duranar known as Flash Primer. It typically is a yellowish color and is applied via conventional spray and then baked on.

Factory Primer is a conversion coating and applied per ASTM D1730, Type B, Method 5 or 7; processing per ASTM B449, Section 5. Dry film thickness 0.20 - 0.30 Mils

## CLEAR ANODIZED

A standard finish for aluminum trims that is available is a Clear Anodized Finish (Architectural 200R1). The Clear Anodized finish is an electrochemical conversion process that deposits an oxide film on the aluminum trim. A natural oxidation process occurs on bare aluminum, however producing the oxidation process artificially creates a thicker, harder, and more durable "oxide film." The Clear Anodized finish is an extremely durable finish and is

resistant to most forms of corrosion. Standard Clear Anodized Finish- Architectural 200R1 medium etch (AA-M32C10A21). Thickness of anodic coating will be tested in accordance of ASTM B-244-68.

## COLOR ANODIZING

Special Color Anodized finishes are also available if required. Gold Anodized, Black Anodized, and Bronze Anodized finishes can be ordered. Bronze Anodized can be ordered in three different color shades: Light, Medium, and Dark Bronze. Please note: Color Anodized Finishes can vary from one piece of trim to another. This is one of the characteristics to the anodizing process and must be considered before any orders are placed. Typically, the color of the anodizing will fall within certain range, which usually is determined prior to anodizing. Ask Flannery for details. Color Anodized Finish-Two-step impregnated color Class II Architectural .40-.70 mils (AA-M12C22A33). Thickness of coating shall be tested in accordance with ASTM B244-68.

## POLISHED ANODIZING

Flannery offers special "Brushed" or "Polished" anodized finishes that imitate finishes found on other types of metals including Stainless Steel, Brushed Stainless Steel, Brass and other metals. These types of anodized finishes require a sample of the desired finish to be submitted to Flannery for quote and minimum order quantities may apply. Some smaller reveals may not be available with these special finishes due to production restrictions.

# NOTES

---

---

---

---

---

---

---

---

---

---

---

*This brochure presents general guidelines and suggestions for the installation of Flannery trims and products. The purpose of these general guidelines and suggestions is to aid in a successful interior or exterior finish based on the Uniform Building Code and industry standards. No one catalog or brochure can address all of the unique specifics or installation details that occur from one project to another. Flannery recommends that every installer be familiar, or become acquainted with, common interior or exterior trim installation practices before installing any of Flannery's many trims and products. Flannery also recommends that the specifying architect, engineer, and general contractor be consulted with as well.*



**Flannery, Inc**  
Specialty Aluminum Trims



**Flannery, Inc**  
Specialty Aluminum Trims

# STRATA CEILING TRIMS

[flannerytrim.com](http://flannerytrim.com) - 682.207.2650

